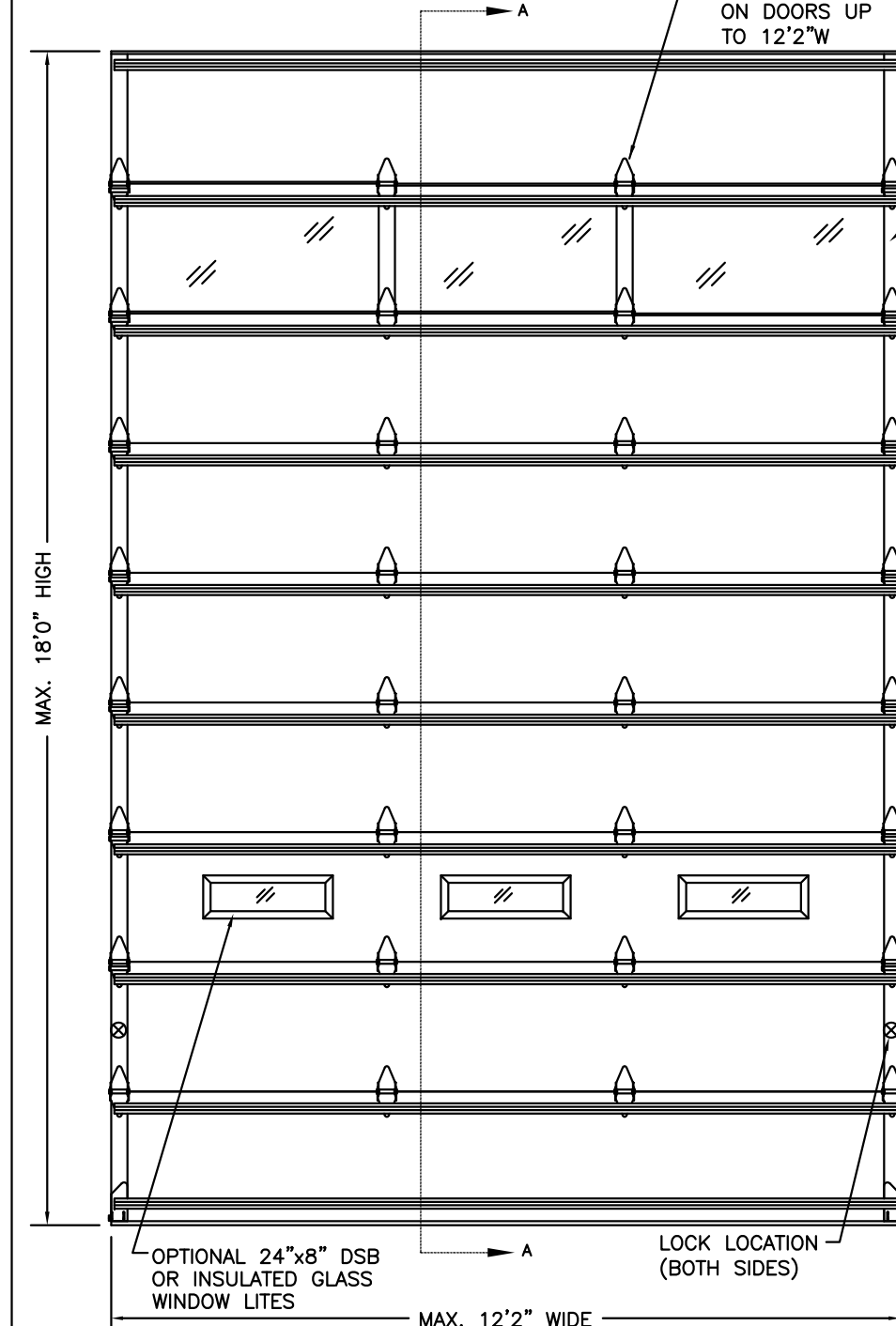
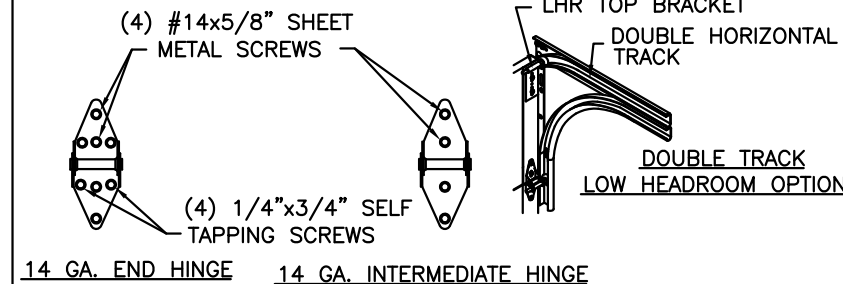


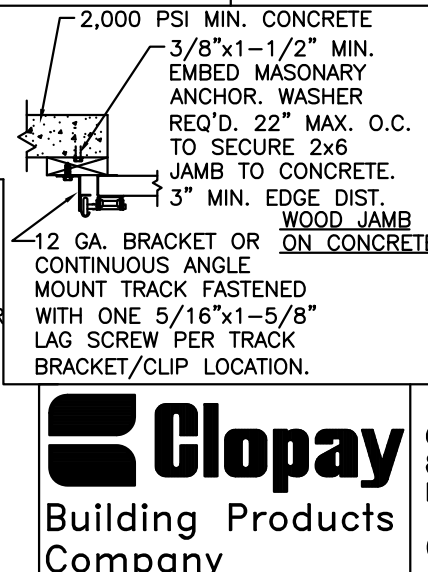
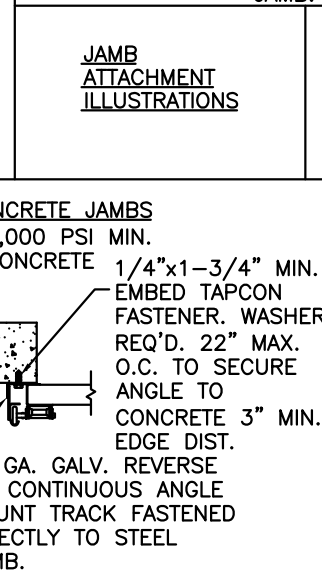
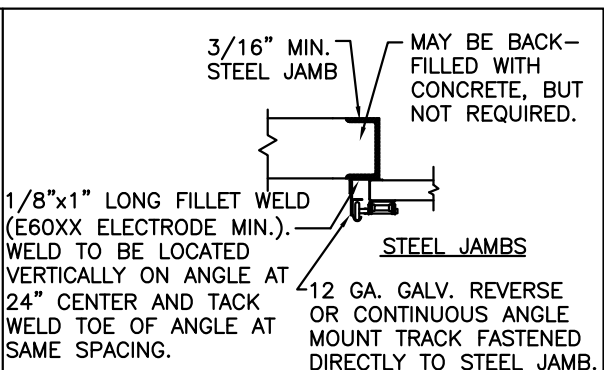
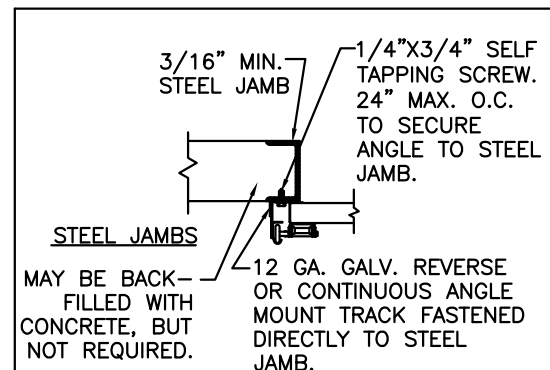
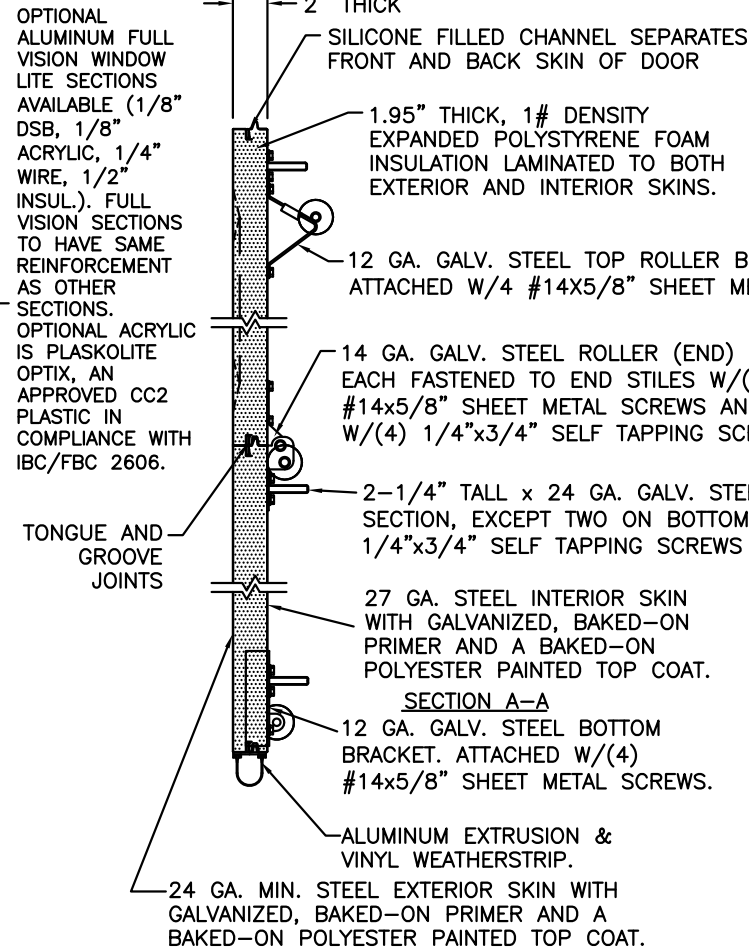
CLOPAY MODEL 3200 (24 GA MIN EXT SKIN)  
 CLOPAY MODEL 3220 (20 GA MIN EXT SKIN)  
 HOLMES MODEL 240, 240G (24 GA MIN EXT SKIN)



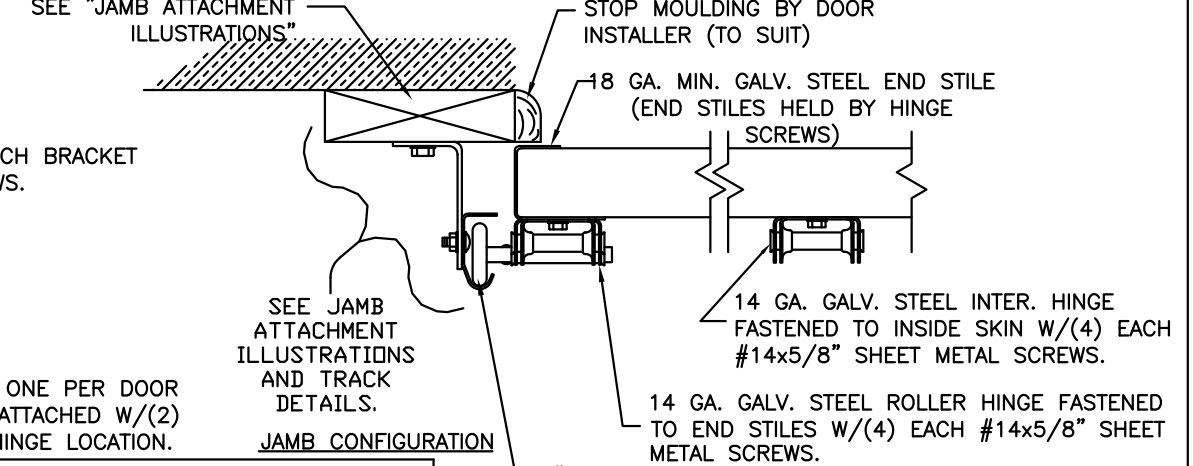
NOTE: THE DESIGN OF THE SUPPORTING STRUCTURAL ELEMENTS ARE THE RESPONSIBILITY OF THE PROFESSIONAL OF RECORD FOR THE BUILDING OR STRUCTURE AND IN ACCORDANCE WITH CURRENT BUILDING CODES FOR THE LOADS LISTED ON THIS DRAWING.



(1) INTER. HINGE ON DOORS UP TO 9'2"W (2) INTER. HINGES ON DOORS UP TO 12'2"W



REV	DATE	DESCRIPTION
07	11/2005	ADDED ROLLER OPTION
08	11/2008	REVISED JAMB ATTACHMENTS PER TDS-161; ADDED MPC.
09	02/2012	UPDATED WINDCODE CHART.

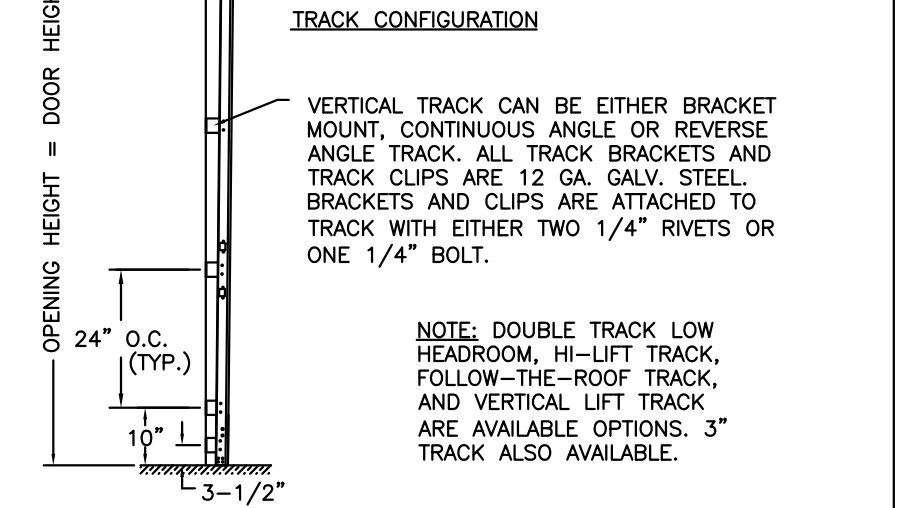
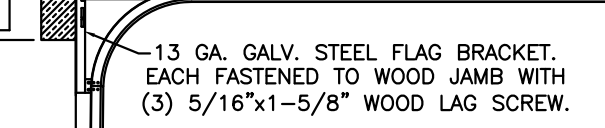


THIS DOOR MEETS OR EXCEEDS THE DESIGN LOADS FOR THE ULTIMATE WIND SPEEDS LISTED BELOW ACCORDING TO THE FLORIDA BUILDING CODE OR THE INTERNATIONAL BUILDING CODE (BASED ON ASCE7-10) FOR THE FOLLOWING CONDITIONS: 1) ENCLOSED BUILDING, 2) DOOR HAS 2' OF WIDTH IN BUILDING'S END ZONE, 3) ANY ROOF SLOPE, AND 4) TESTING IN ACCORDANCE WITH ANSI/DASMA 108. SITE-SPECIFIC CALCULATIONS BY A QUALIFIED DESIGN PROFESSIONAL MAY DIFFER.

ULTIMATE WIND SPEED (MPH)	130	135	140	150	165
EXPOSURE CATEGORY	B, C, D	B, C, D	B, C	B, C	B
MEAN ROOF HEIGHT	25'	15'	25'	15'	30'

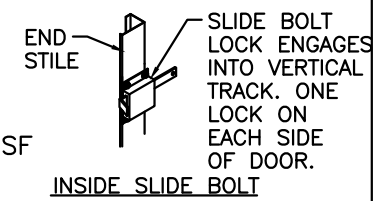
THE OPTIONAL GLAZING SHOWN ON THIS DRAWING MEETS THE WIND LOAD REQUIREMENTS OF THE FLORIDA BUILDING CODE OR INTERNATIONAL BUILDING CODE BUT DOES NOT MEET THE IMPACT RESISTANT REQUIREMENT FOR WINDBORNE DEBRIS REGIONS (REF. CHAPTER 16 FBC/IBC)

HORIZONTAL TRACK SUPPORT BY DOOR INSTALLER (TO SUIT)



DESIGN ENGINEER: MARK WESTERFIELD, P.E.  
 FLORIDA P.E. #48495, NC P.E. #23832,  
 TEXAS P.E. #91513  
 DESIGN LOADS: +25.0 PSF & -28.0 PSF  
 TEST LOADS: +37.5 PSF & -42.0 PSF

ORIGINAL DRAWINGS ARE SIGNED IN BLUE INK WITH A RAISED SEAL (EMBOSS).



CLOPAY BUILDING PRODUCTS COMPANY  
 8585 DUKE BLVD.  
 MASON, OH 45040  
 (513) 770 - 4800  
 Clopay Corporation All Rights Reserved.

MANUFACTURING PRODUCT CODE: MPC: C-DSIE-1F447	WINDLOAD RATING W4	MAX DOOR SIZE: 12'2"W x 18'0"H
DATE: 9/26/96	DESCRIPTION: MODEL 3200/3220: +25/28 PSF DESIGN	
DRAWN BY: MWW	DRAWING NUMBER: B 101687	
CHECKED BY:		