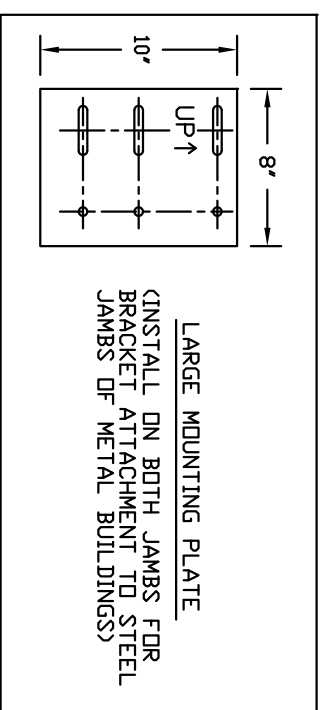
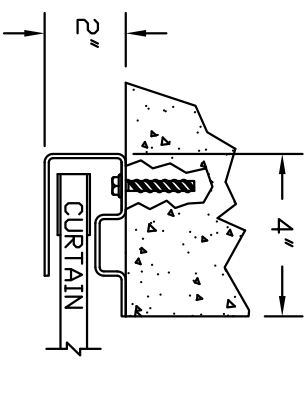
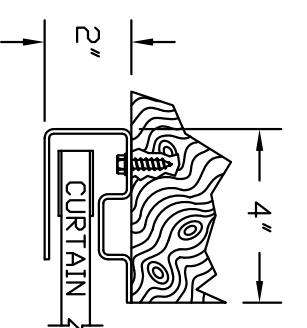
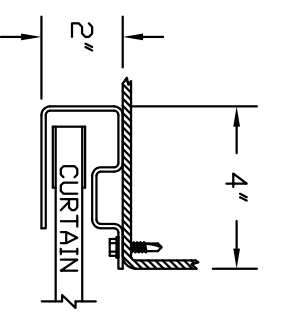
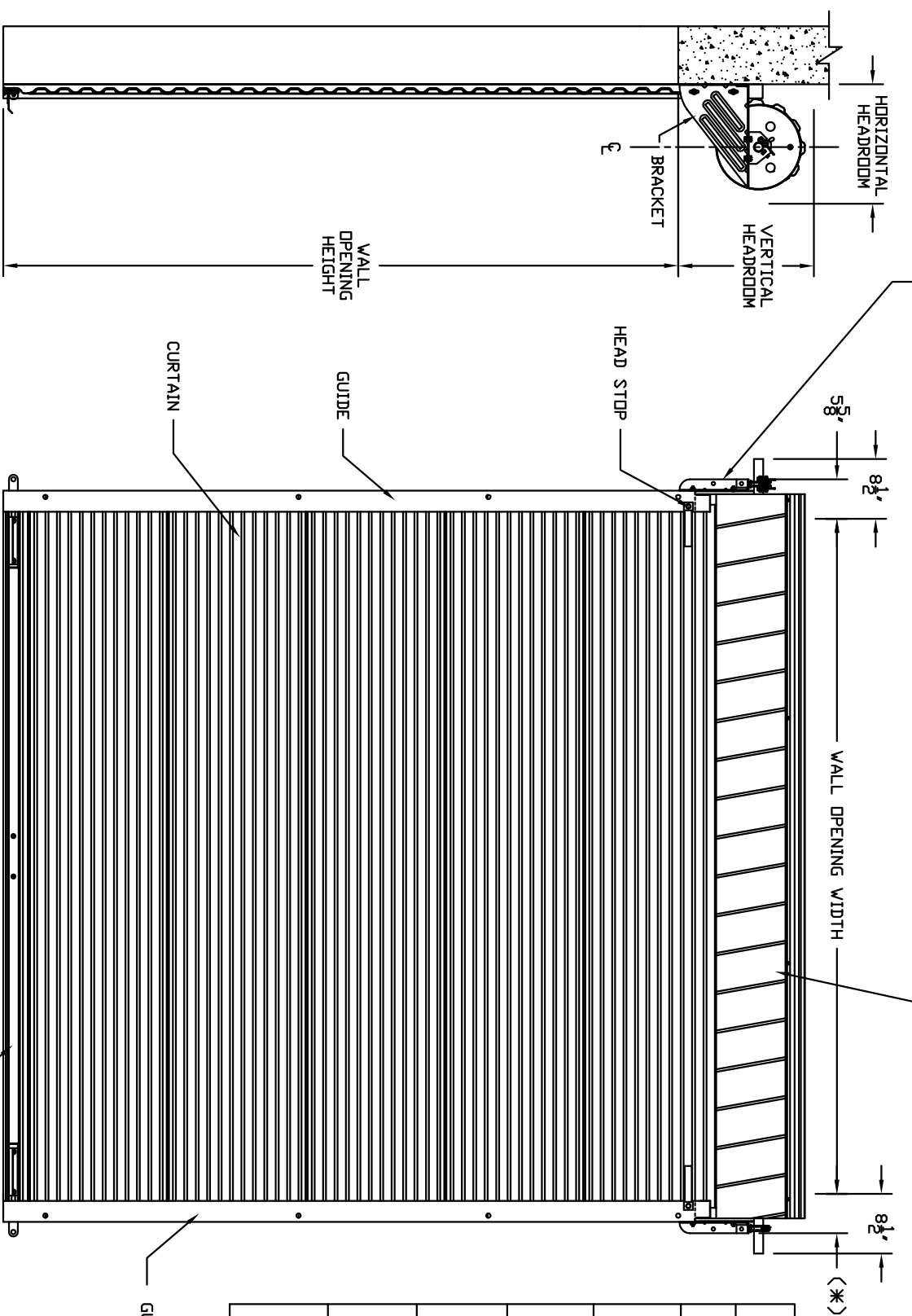


- ▽ NOTES:
- 1) OPERATION TYPE MAY BE PUSH-UP, HAND CHAIN OR ELECTRIC.
 - 2) CLEARANCES SHOWN ARE MAXIMUMS. LESSER CLEARANCES MAY BE POSSIBLE.
 - 3) UNLESS OTHERWISE NOTED, DOORS SHALL BE PROVIDED WITH SLIDE LOCKS AT EACH END OF BOTTOM BAR, ENGAGING GUIDES IN THE LOCKED POSITION.
 - 4) ALL OPENING PREPARATION, ELECTRICAL POWER AND FIELD PAINTING SHALL BE PROVIDED BY OTHERS.
 - 5) CURTAIN FINISH SHALL BE SILICONE POLYESTER PRE-PAINT OVER GALVANIZED GRADE 80 STEEL.
 - 6) GUIDES, BRACKETS, BOTTOM BAR ANGLE AND HEAD STOPS ARE ZINC COATED.
 - 7) VISION PANELS AVAILABLE.



BRACKET ATTACHMENT
 CONCRETE/MASONRY: POWERS WEDGE-BOLT, 3/8 X 1-3/4" LONG
 WOOD: LAG SCREW, 3/8-7 X 3" LONG
 STEEL: HEX BOLT, GR.5, 3/8-16 X 1-1/4" LONG

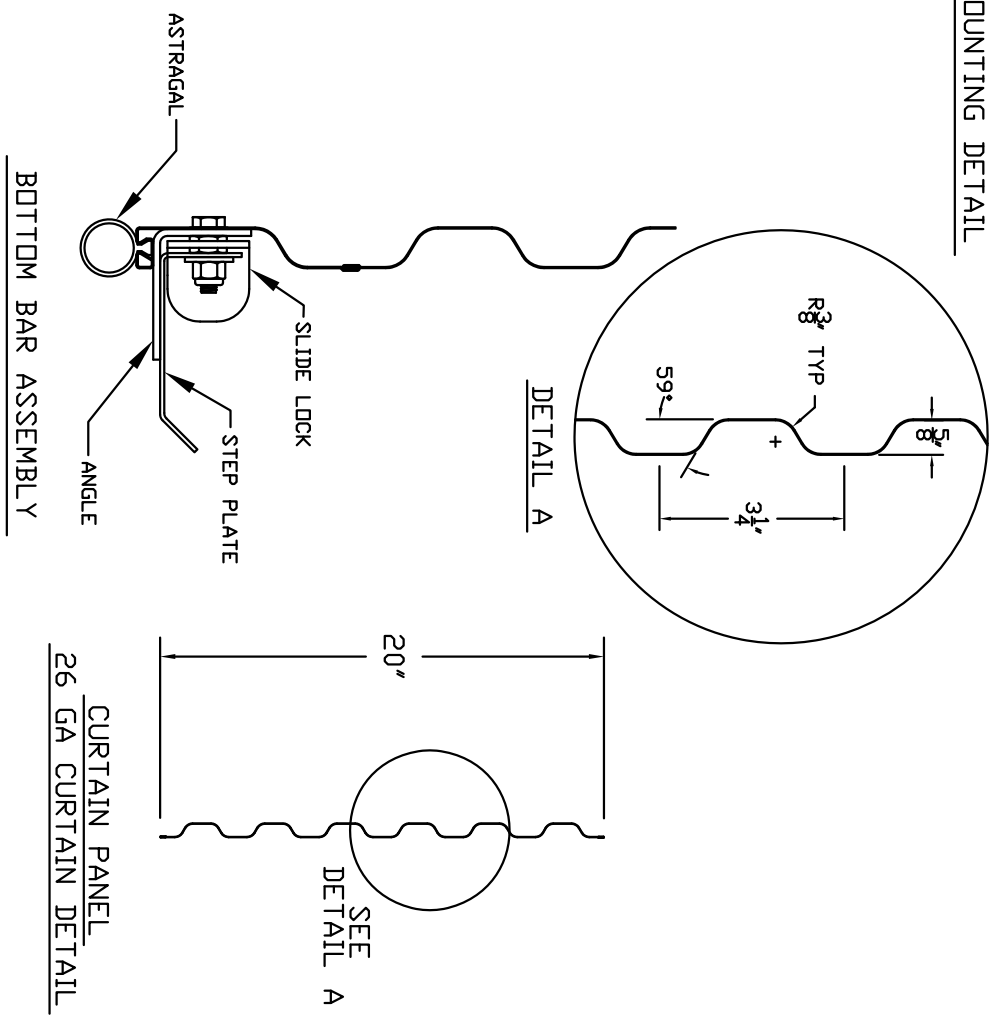
(*): FOR PUSH-UP OPERATION: 5-5/8"
 FOR HAND CHAIN OPERATION: 6-3/8"
 FOR ELECTRIC OPERATION: 7-1/8"
 FOR OUTSIDE OF CHAIN DRIVE: 7-7/8"
 NOTE: RIGHT SIDE DRIVE SHOWN



12 GA GUIDE MOUNTING DETAIL

(USING 1/4-14 X 1" TEKS) (USING 1/4-10 X 1" LAG) (USING 1/4" X 1-3/4" POWERS WEDGE-BOLT)

OPENING HEIGHT	VERTICAL HEADROOM	HORIZONTAL HEADROOM
THRU 8'-0"	17'	19'
DVER 8'-0" THRU 10'-0"	19'	21'
DVER 10'-0" THRU 14'-0"	20'	22'
DVER 14'-0" THRU 16'-0"	21'	23'
DVER 16'-0" THRU 18'-0"	22'	24'
DVER 18'-0" THRU 20'-0"	23'	25'



FACTORY ORDER NUMBER	DOOR MODEL	QTY	OPENING SIZE		JAMB TYPE		OUTSIDE CURTAIN		OPERATION			WEATHERSTRIP		ADDED OPTIONS
	160C		WIDTH	HEIGHT	STEEL	CONC./MAS.	WOOD	CURTAIN	COLOR	PUSH UP	REDUCED CHAIN	ELECTRIC	HAND	

COMMERCIAL DOOR MODEL: 160C

CUSTOMER NUMBER: _____ DATE: _____

CUSTOMER NAME: _____ CONTACT: _____

PROJECT NAME: _____

PROJECT LOCATION: _____

PLANT: _____

DRAWN BY: _____ DATE: _____

DRAWING NUMBER: _____ SH: _____ DF: _____

SALESPERSON: _____

Glupay
 Building Products Company