

HIGH-LIFT FOLLOW-THE-ROOF TRACK

NOTE: MAX. PITCH AVAILABLE IS 12:12
OVER 12:12 USE VERTICAL-LIFT TRACK

- 5° BREAKAWAY
- STRAIGHT INCLINE (OPTIONAL) *

* STRAIGHT INCLINE TRACK LIMITATIONS:

DOOR HEIGHT	MAX. HI-LIFT
THRU 14'0"	54"
@ 15'0"	43"
@ 16'0"	31"

HEADROOM REQUIREMENTS:

MINIMUM HEADROOM = HI-LIFT + 12"
12" ADDITIONAL FOR DOUBLE SHAFTS

MAX. AVAILABLE HI-LIFT: (BREAKAWAY TRACK)

MAXIMUM HI-LIFT =
FLOOR TO CEILING - (DOOR HEIGHT + 12")

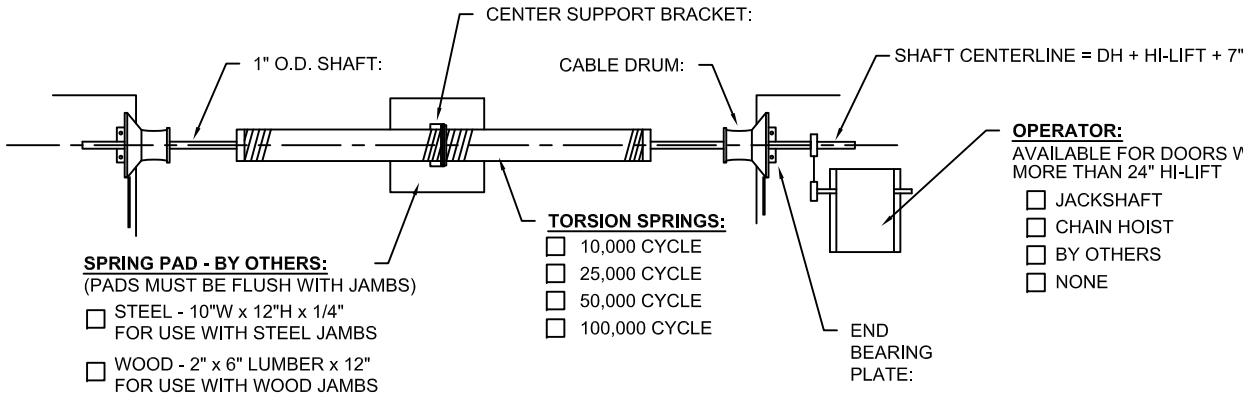
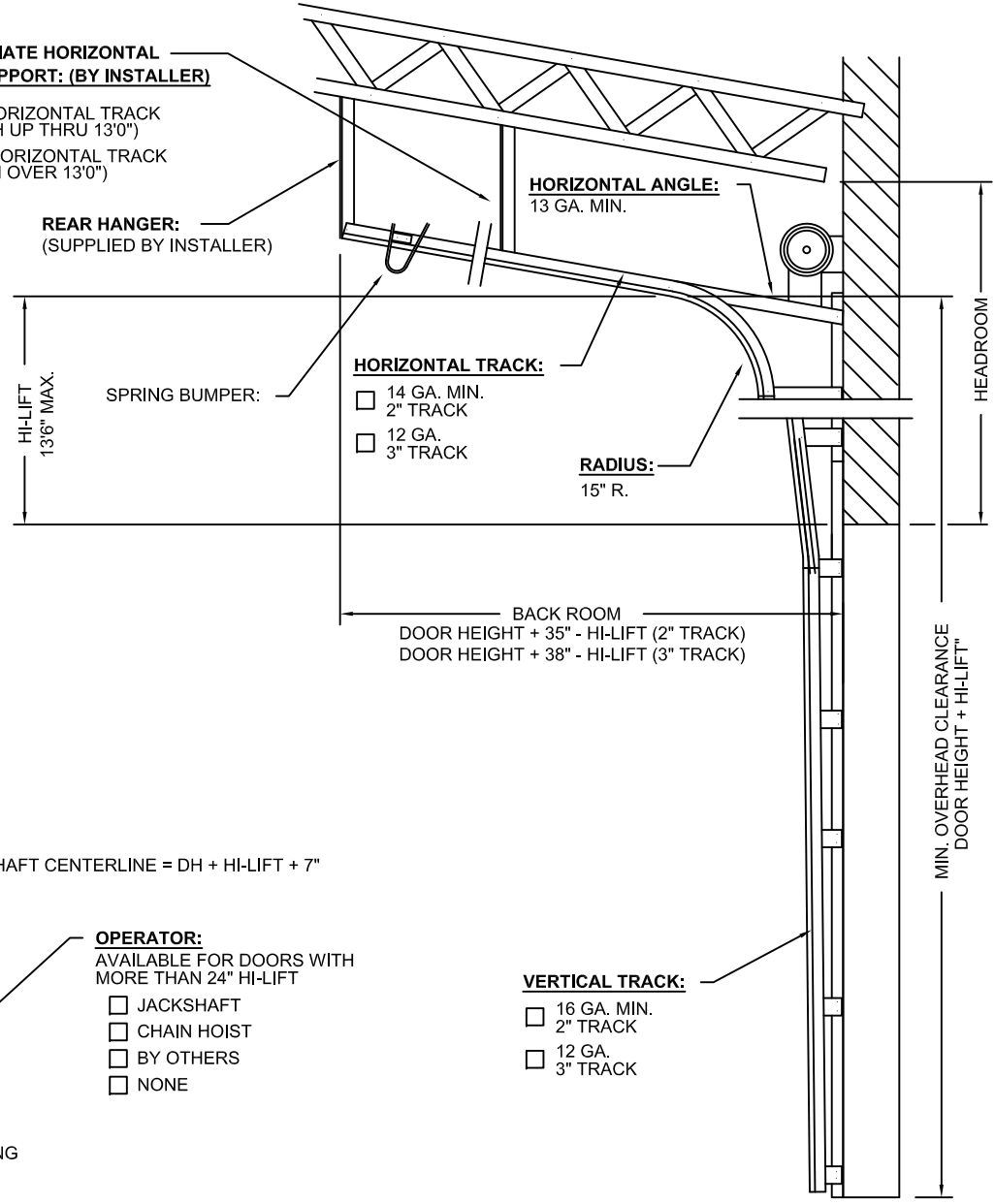
HI-LIFT MAY NOT EXCEED THE DOOR HEIGHT - 24"
OR EXCEED 162" (13'6")

NOTE:

SPRING SIZE AND CONFIGURATION INDIVIDUALLY CALCULATED TO COUNTERBALANCE DOOR LOAD. AN EXACT SPRING LAYOUT CAN BE FURNISHED UPON APPROVAL OF BID. SOME DOORS MAY REQUIRE 6" SPRINGS OR DOUBLE SHAFTS.

INTERMEDIATE HORIZONTAL TRACK SUPPORT: (BY INSTALLER)

- NO - (HORIZONTAL TRACK LENGTH UP THRU 13'0")
- YES - (HORIZONTAL TRACK LENGTH OVER 13'0")



- SPRING PAD - BY OTHERS:**
(PADS MUST BE FLUSH WITH JAMBS)
- STEEL - 10"W x 12"H x 1/4"
FOR USE WITH STEEL JAMBS
 - WOOD - 2" x 6" LUMBER x 12"
FOR USE WITH WOOD JAMBS

- TORSION SPRINGS:**
- 10,000 CYCLE
 - 25,000 CYCLE
 - 50,000 CYCLE
 - 100,000 CYCLE

- OPERATOR:**
AVAILABLE FOR DOORS WITH MORE THAN 24" HI-LIFT
- JACKSHAFT
 - CHAIN HOIST
 - BY OTHERS
 - NONE

- VERTICAL TRACK:**
- 16 GA. MIN. 2" TRACK
 - 12 GA. 3" TRACK



CUST: JOB: ARCH: CONT:	HIGH LIFT FOLLOW-THE-ROOF	TRACK SIZE:	OPERATOR MODEL #: _____	OVERHEAD CLEARANCE: _____	SHEET 'T-6' DATE: _____ BID #: _____ PAGE ____ of ____
	OPENING SIZE: ____' ____" W x ____' ____" H		OPERATOR BACKROOM: _____	AVAILABLE HEADROOM: _____	
	DOOR SIZE: ____' ____" W x ____' ____" H		BACK ROOM: _____	HEADROOM REQUIREMENT: _____	