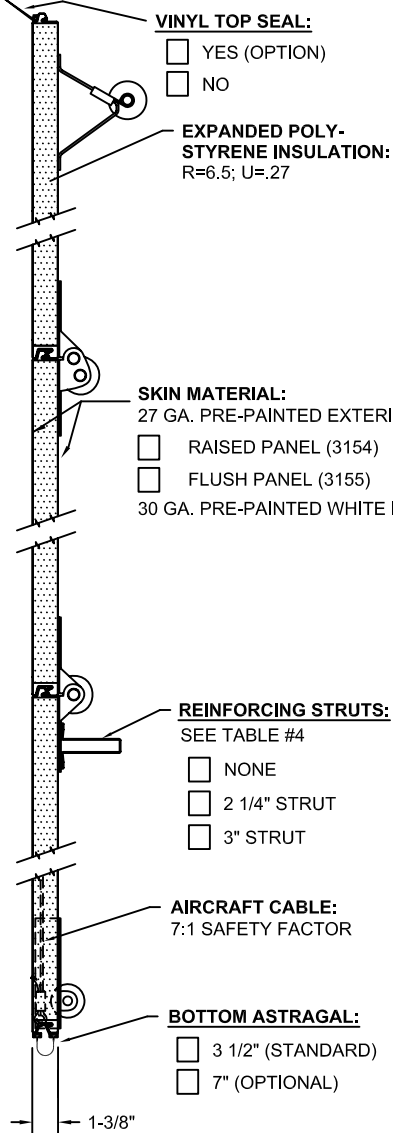


MODEL #: 3154, 3155

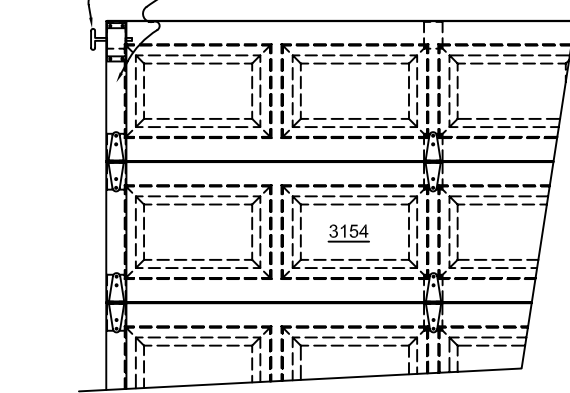
- 3154: RAISED PANEL
- 3155: FLUSH PANEL



SECTION TYPE:
 TONGUE & GROOVE

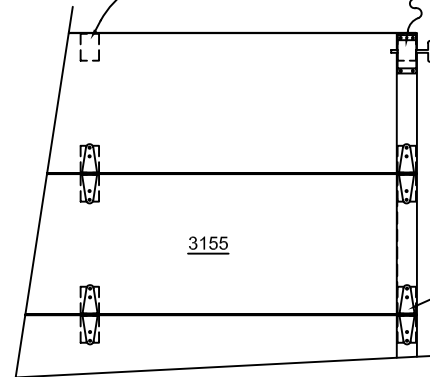
STEEL BALL BEARING ROLLER:

END STILES:
 19 GA. GALVANIZED



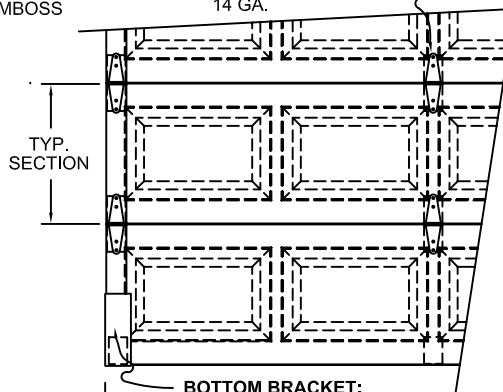
BACKUP PLATES:
 19 GA. GALV.

TOP BRACKET:
 12 GA.



ROLLER HINGE:
 14 GA. MIN.

CENTER HINGE:
 14 GA.



BOTTOM BRACKET:
 12 GA. MINIMUM

DOOR WIDTH

TYP. PANEL

DOOR HEIGHT

STEP PLATE

LOCK:

- INSIDE SLIDE
- KEYED CYLINDER LOCK
- NONE

EXTERIOR COLOR:

- GRAY
- WHITE
- BROWN
- ALMOND
- SANDTONE
- DESERT TAN
- HUNTER GREEN
- BRONZE

GLAZING OPTIONS:

- SOLID - NO GLAZING
- 1/8" DSB
- 1/8" PLEXIGLASS

WINDOW FRAME CONSIST OF AN EXTERIOR FRAME AND AN INTERIOR RETAINER, MADE OF CELLULAR PVC EXTRUSIONS



CUST:	MODEL #:	QTY:	# OF SECTIONS HIGH (SEE TABLE #1)	SECTIONS TO GLAZE:	SHEET 'M-9' DATE: _____ BID #: _____ PAGE ____ of ____
JOB:	DOOR WIDTH:	# OF PANELS WIDE (SEE TABLE #2)		PANELS TO GLAZE:	
ARCH:	DOOR HEIGHT:				
CONT:					

MODEL #s 3154, 3155

**TABLE #1
SECTION CHART**

DOOR HEIGHT	NUMBER OF SECTIONS
6'0" - 7'0"	4
7'6" - 8'9"	5
9'0" - 10'6"	6
10'9" - 12'3"	7
12'6" - 14'0"	8
14'3" - 15'9"	9
16'0"	10

NOTE: DOOR HEIGHTS AVAILABLE
IN 3" INCREMENTS (NOT
AVAILABLE IN 7'3" HEIGHT)

**TABLE #2
PANEL CHART**

DOOR WIDTH	NUMBER OF PANELS
6'0" - 7'10"	3
8'0" - 9'10"	4
10'0" - 11'10"	5
12'0" - 13'10"	6
14'0" - 15'10"	7
16'0" - 18'2"	8

**TABLE #3
LITE AVAILABILITY CHART**

DOOR WIDTH	MAXIMUM LITES PER SECTION
8'0" - 9'10"	4
10'0" - 11'10"	5
12'0" - 13'10"	6
14'0" - 16'10"	7
16'0" - 18'2"	8

**TABLE #4
REINFORCEMENT CHART**

DOOR WIDTH	DOOR HEIGHT		
	UP to 10'0"	10'3"-14'0"	14'3"-16'0"
UP to 14'2"	NONE	NONE	NONE
14'4" to 16'2"	(3) 2-1/4" Struts per Door	(4) 2-1/4" Struts per Door	(3) 3" Struts per Door
16'4" to 18'2"	(3) 3" Struts per Door	(4) 3" Struts per Door	(5) 3" Struts per Door