

THE NEXT GENERATION GARAGE DOOR

INSTALLATION & MAINTENANCE

Steel Residential Garage Door Instructions

Model: _____ Serial No.: _____
(Provided on label on interior door surface)

Size: _____ Register your product online at <http://warranty.clopaydoor.com>

Homeowners Should Retain This Booklet for Future Reference

MISSING ANY PARTS?

PLEASE CALL TOLL FREE: (800-225-6729)
PARTS WILL BE REPLACED PROMPTLY

DO NOT RETURN DOOR TO STORE

(Stores Do Not Carry Spare Parts)

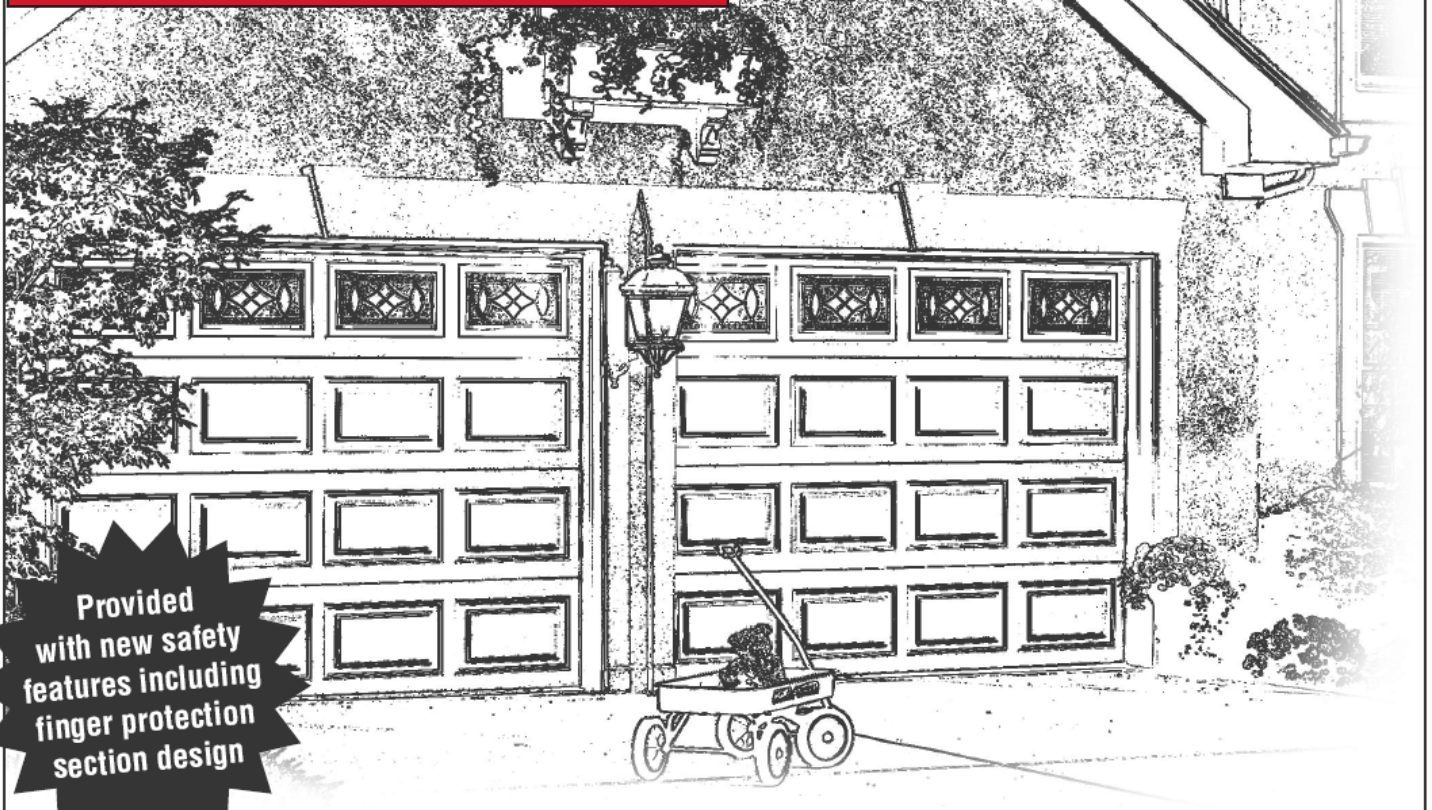
IMPORTANT – Information Needed When Calling:

- 1) Model number and size of door (Located on packaging)
- 2) Spring Type (Extension, EZ-Set® Extension, EZ-Set® Torsion or Standard Torsion)
- 3) Store city and state of purchase
- 4) Contract # or serial number if special order
(Located on label on the back of the door or on packaging)

Clopay®

BUILDING PRODUCTS

A Griffon Company



Provided
with new safety
features including
finger protection
section design

CONSUMER HOTLINE • 1-800-2CLOPAY • 1-800-225-6729

Hours of Operation (ET): Mon. – Fri., 8:30 AM - 7 PM; Sat. 8:30 AM - 5 PM.

Clipay® Limited Warranty

Steel Door Limited Warranty Information

We will repair or replace (at our option) any garage door section or hardware that is defective in material or workmanship pursuant to the terms of this limited warranty. This warranty extends to and benefits only the original purchaser of the garage door. This warranty does not apply to commercial, industrial or any other non-residential installation.

We will provide, at no cost to you, sections/section components, hardware, springs/spring components or windows to repair or replace defective sections, hardware, springs/spring components or windows. All labor costs associated with the removal and reinstallation of any repaired section/section components, hardware or spring/spring components, and the installation of replacement sections/section components, hardware, spring/spring components, or windows will be your responsibility. We reserve the right to inspect and/or verify any claimed defect.

The applicable limited warranty periods are as follows:

Model #	Paint System	Hardware/ Windows	Galv. Torsion Springs/ Sections/Delamination	Extension Springs
C124, B478, B578, B678	Limited Lifetime	10 yrs.	5 yrs.	3 yrs.
B178, B278, B378	25 yrs.	10 yrs.	5 yrs.	3 yrs.
C125, C225	10 yrs.	10 yrs.	5 yrs.	3 yrs.

Terms and limitations of the limited warranty are further detailed below:

Paint System Limited Warranty

Clipay warrants the sections of the Models listed above against rust **through** due to the paint finish cracking, checking or peeling (losing adhesion) as follows: (a) in residential single family installations for the years designated above from the date of delivery to the original purchaser; (b) in all other residential installations (including installations on facilities owned in common by condominium associations or similar organizations), for ten (10) years from date of delivery to the original purchaser, pursuant to the terms of this limited warranty.

Hardware/Spring & Spring Component/Sections/Section Components Limited Warranty

We will repair or replace (at our option) any garage door hardware, section/section components, spring and/or spring component that is defective in material or workmanship for the term defined in the chart above, pursuant to the terms of this limited warranty. In addition, we will repair or replace (at our option) any garage door section/section component that is defective in material or workmanship, including, but not limited to, delamination of the polystyrene insulation from the steel skin.

Decorative Windows – 10 Year Limited Warranty

Designer windows, snap-in inserts, clear acrylic windows and window frames are warranted for ten (10) years from date of purchase against manufacturing defects and excessive discoloration. This warranty does not cover any damage or loss caused by harmful chemical action, abrasive cleansers, or breakdowns due to climate extremes or environmental conditions. Insulated glass is warranted for a period of ten (10) years for material obstruction of vision resulting from film formation or dust or moisture collection between the interior surface of the insulating glass window, pursuant to the terms of this limited warranty. No warranty is available for single pane glass.

WE WILL NOT PAY FOR ANY DAMAGES, INCLUDING INCIDENTAL OR CONSEQUENTIAL DAMAGES, CAUSED BY OR RESULTING FROM DEFECTIVE GARAGE DOOR SECTIONS OR HARDWARE. Some states do not allow the exclusion of incidental or consequential damages, so the above limitation may not apply to you.

Our warranty shall not extend to or cover deterioration due to damage or rust to the garage door caused by fire, an act of God, other accident or casualty, vandalism, radiation, harmful fumes or foreign substances in the atmosphere, or occurring as a result of any physical damage or the failure of paint that is not applied per the manufacturer's specifications after the garage door left our factory, or failure to follow all installation and maintenance instructions. Nor shall our warranty extend to or cover any damages due to normal wear and tear, or claims with respect to any products that in any way or degree have been altered, processed, misused or improperly handled or installed.

If your garage door does not conform to this warranty, notify us in writing at the following address promptly after discovery of the defect. Clipay Building Products, Attn: Consumer Services Dept., 101 Miller Road, Russia, Ohio 45363. Additional copies of our installation and maintenance instructions may be obtained by calling 1-800-225-6729.

WE MAKE NO OTHER WARRANTIES, REPRESENTATIONS, OR COVENANTS, EXPRESS OR IMPLIED, WITH RESPECT TO THIS PRODUCT, INCLUDING BUT NOT LIMITED TO WARRANTIES, REPRESENTATIONS OR COVENANTS AS TO WORKMANSHIP, DESIGN, CAPACITY, QUALITY, CONDITION, MERCHANTABILITY, OR FITNESS FOR ANY PURPOSE OF THE PRODUCT, EXCEPT FOR ANY "IMPLIED WARRANTY" AS THAT TERM IS DEFINED IN THE MAGNUSON-MOSS WARRANTY-FEDERAL TRADE COMMISSION IMPROVEMENT ACT, SUCH IMPLIED WARRANTIES TO BE LIMITED IN DURATION TO A PERIOD OF ONE YEAR FROM THE DATE OF PURCHASE.

This warranty gives you specific legal rights, and you may also have other rights that vary from state to state.



© Clipay Building Products Company, Inc.
A Griffon Company, Inc. 2004

Table of Contents

Introduction and Opening Preparation

STEP 1 – Things to Know Before You Begin.....	3
STEP 2 – Read Safety Information	4
STEP 3 – Check Headroom, Backroom, Sideroom.....	5
STEP 4 – Removing the Existing Door Springs	6
STEP 5 – Removing Door Sections and Track.....	7
STEP 6 – Preparing the Opening	7

Preparing the New Door

Typical Garage Door Installation Illustration	8
Hardware Components	9

Installing the New Door

STEP 7 – Preparing Bottom Section	10
STEP 8 – Lift Handle Attachment.....	12
STEP 9 – Installing Door Sections.....	13
STEP 10 – Reinforcing the Top Section for Opener Attachment	14
STEP 11 – Assembling and Installing Track	15
STEP 12 – Lock Installation (if included).....	17
STEP 13 – Pull Rope.....	17
STEP 14 – Spring Installation.....	17
STEP 15 – Attaching an Automatic Opener.....	18

Maintenance/Adjustments/Options

Painting and Windows	19
Maintenance	20
Checking and Adjusting the Door	20
Replacement Parts.....	20

STEP 1 – Things to Know Before You Begin

- Read the instructions completely before starting the installation of the door. Becoming familiar with the components before assembling the door will reduce the installation time.
- Be sure all hardware components for your new door are included before removing existing door (see pages 8,9). If your door is missing any parts, call the toll-free Consumer Services number listed on the front of this manual.
- Allow enough time to do the work; removing an existing door will take approximately 1-3 hours.
- An assistant may be required for lifting the unsprung door. It can weigh from 100 to 500 pounds.
- A typical installation takes between 9 and 12 hours to complete.
- Keep in mind when planning the installation that the garage will be open and unsecured when disassembling the old and assembling the new door.
- If the garage door is the only opening in the structure make sure everything you need is inside. You will have no way of leaving the garage until the track is assembled and installed. This will take approximately 5 hours.
- To avoid damage to the door, you must reinforce the top section of the door in order to provide a strengthened mounting point for attachment of an automatic opener (see page 14).
- Low Headroom doors require special instructions. Options for doors with low headroom can be found on page 5. Purchase of additional hardware may be required. Check headroom requirements in the chart on page 5 before beginning.
- To avoid installation problems which could result in personal injury or property damage, never reuse old track or hardware.
- Doors installed in high windload regions (Florida and other high wind prone areas) may require additional reinforcement beyond what is detailed in these instructions. Please refer to supplemental instructions for these areas.
- Express warranties apply only to doors installed using original, factory-supplied sections, parts, and hardware installed in strict accordance with these instructions.

Tools Needed

- “C” Clamps or Locking Pliers
- Hammer
- Screwdriver
- Tape Measure
- Level
- Socket wrench kit
- Pliers
- Drill, 1/4", 3/16", & 3/8" drill bits, and 7/16" socket bit
- Step ladder
- Saw horses (with carpet or other soft material on top surface; 2 needed for doors up to and including 9'0" wide, 3 needed for doors over 9'0" wide) or other supports for placing section on while assembling
- Hacksaw
- Wood Saw
- T-Square
- Additional tools may be required; see the Spring Supplement for more information.

Additional Material Required

- Light household oil
- 1-1/4" x 1-1/4" Minimum punched angle
 - 13 ga. (3/32") minimum thickness for Operator Reinforcement (see page 14)
 - 16 ga. (1/16") minimum thickness for rear track hangers on doors weighing up to 300 lbs. that use torsion springs, or doors weighing up to 150 lbs. that use extension springs. If your door exceeds these weight limitations, or if you do not know the weight of your door, 13 ga. angle should be used. (See page 16)
- Eight 3/8" x 1" bolts and nuts for rear track hangers
- Six 5/16" x 11/2" lag screws for rear track hangers
- Ten 10d 3" nails
- Stop Molding
- Wood Block
- Rope

STEP 2 – READ THIS SAFETY INFORMATION IMPORTANT!

To Protect Yourself From Injury You Must Carefully Read The Following Safety Information and Warnings Before You Install Or Use Your New Garage Door

- You can install your new garage door yourself IF...
 - a) you have help (it may weigh up to 500 lbs.);
 - b) you have the right tools and reasonable mechanical aptitude or experience; and
 - c) you follow these instructions very carefully.
- Garage doors use springs to balance them. There are two types of springs installed — extension or torsion. Each of these is available in either a standard or EZ-Set™ assembly option. Please look at the drawings on page 8 to see which springs your old door has.
- **If your old door uses torsion springs, do not attempt to remove the door or the springs yourself.** Have a qualified door repair service remove them. Attempting to remove a torsion spring assembly without proper training or tools may result in an uncontrolled release of spring forces which can cause serious or fatal injury.
- **Only the track specified and supplied with the door should be used.**
- The brackets at the bottom corners of your garage door are under great tension. **Do not attempt to loosen any bracket fasteners except when and as directed in detail in the following instructions.** Otherwise, the bracket could spring out with dangerous force.
- **Do not permit children to play beneath or with any garage door or electric operating controls.**
- In removing a garage door that has extension springs, follow the instructions carefully, including the use of “C” clamps or locking pliers on both sides of the door in order to keep the door from moving once the springs are removed.
- Keep hands and fingers clear of section joints, track, and other door parts when the door is opening and closing to avoid injury. The lift handles are located for safe operation as well as easy use.
- Bolts must be installed at the rear end of horizontal tracks. These act to stop the rollers and keep the door from rolling off the back of the track.
- Track installations must use sway braces on the rear track hangers to prevent sideways movement. If the tracks are not firmly stabilized they might spread, allowing the door to fall and cause severe injury and damage.
- Springs, cables, and bottom fixtures are under strong spring tension. **Do not attempt to loosen any fasteners on these components.** You could suddenly release spring forces and risk severe injury.
- If the garage door and/or any of the supporting track are damaged, operating the door could be hazardous. Call an authorized representative of the manufacturer or professional door repair service promptly.
- If repairs are ever required to your door, safety and trouble-free operation can be best assured by using original replacement parts.
- Once you have completed the installation of your new garage door, please be sure that your garage complies with all applicable ventilation requirements before you enclose any vehicles in the garage. Good ventilation avoids fire and health hazards caused by fumes accumulating within a well-sealed garage.
- Clopay Building Products Company disclaims all liability for any installation that is not in compliance with applicable state or county building codes.
- Doors equipped with automatic door operators can cause serious injury or death if not properly adjusted and operated. To ensure safety of these doors:
 - a) test the sensitivity of the operator's safety reverse mechanism monthly;
 - b) if your door has a pull down rope, you must remove the pull down rope;
 - c) make sure the door remains unlocked;
 - d) do not allow children to play with the controls.



WARNING

In the interest of safety this symbol means **WARNING** or **CAUTION**. Personal injury and/or property damage may occur unless instructions are followed carefully.

STEP 3 – Check Headroom/ Backroom/ Sideroom

Headroom is the space needed above the top of the door for the door, the overhead tracks, and the springs. Measure to check that there are no obstructions in your garage within that space. The normal headroom space requirement is shown in Table 3-A. The backroom distance is measured from the back of the door into the garage, and should be at least 18" more than the height of the garage door. A minimum sideroom of 3-3/4" (5-1/2" for EZ-Set™ Extension Spring) should be available on each side of the door on the interior wall surface to allow for attachment of the vertical track assembly. The rough opening should be the same size as the door. (FIG. 3-A)

Track Radius: The radius of your track can be determined by measuring the dimension "R" in FIG. 3-B. If dimension "R" measures 11" to 12", then you have a 12" radius track. If "R" equals 14" to 15", then you have a 15" radius track. (FIG. 3-B)

Headroom requirements

The standard headroom space requirement is shown in Table 3-A at right. (See page 8 if you have a question on which type of spring you have.)

Low Headroom? If you have restricted headroom, several remedies are available. See Table 3-B for various options.

NOTE: Installation of the various Low Headroom Options differs from the installation of a standard headroom door. Supplemental instructions are included with the hardware of each Low Headroom Option.

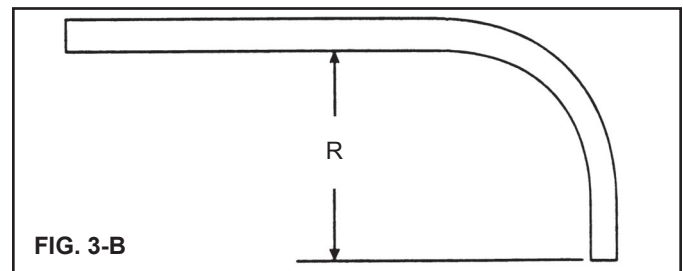
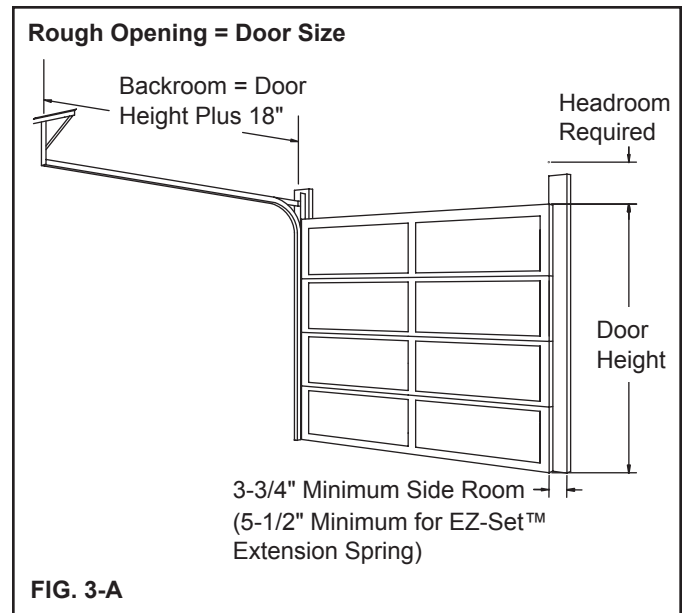


Table 3-A: Standard Headroom Requirement Chart

Spring Type	Track Radius	Headroom Required
EZ-Set™ Extension Spring or Extension Spring	12"	10"
EZ-Set™ Extension Spring or Extension Spring	15"	12"
EZ-Set™ Torsion Spring or Torsion Spring	12"	12"
EZ-Set™ Torsion Spring or Torsion Spring	15"	14"

Table 3-B: Low Headroom Options*

Spring Type	Low Headroom Option	Reduces Required Headroom to:	How can I get this option?
Extension and EZ-Set™ Extension	Low Headroom Track	4-1/2"	Order Low Headroom Track.
Extension and EZ-Set™ Extension	Low Headroom Conversion Kit (Modifies Standard Track)	4-1/2"	Available at most retail stores.
Extension and EZ-Set™ Extension	Quick Turn Bracket	8" on 12" Radius Track	Order Quick Turn Bracket Set.
EZ-Set™ Torsion	Low Headroom Track (Front Mount Spring)	9-1/2"	Order Low Headroom Track.
EZ-Set™ Torsion	Low Headroom Conversion Kit (Modifies Standard Track)	9-1/2"	Available at most retail stores.
Torsion	Low Headroom Track (Front Mount Spring)	9-1/2"	Available from and should be installed by professional installer only.
Torsion	Low Headroom Track (Rear Mount Spring)	4-1/2"	Available from and should be installed by professional installer only.

*About 3" of additional headroom height at the center plus additional backroom is needed to install an automatic garage door opener. Check door opener instructions.

STEP 4 – Removing the Existing Door Springs



WARNING

Garage doors use springs to balance the door weight. There are two types of springs used — extension and torsion. Each of these is available in either a standard or EZ-Set™ assembly option. Please look at the drawings on page 8 to see which springs your old door has installed. **If your present door uses standard torsion springs, do not attempt to remove the door or the springs yourself.** They should be removed by a qualified door service professional. Attempting to remove a torsion spring assembly without proper training and tools may result in an uncontrolled release of spring forces which can cause serious or fatal injury.

Extension springs and EZ-Set™ Springs are shown on a sectional garage door in the illustration on page 8 to see which springs your door has. The following instructions detail how to remove these springs.



WARNING

Serious injury could result if spring tension has not been released before other work begins.

Removing Extension Springs



WARNING

Use two or more helpers to assist you in lowering the door.

Step 4-1a: Raise the door to the full open position. Place “C” clamps or locking pliers tightly on both sides of the track under the door so the door is held securely in place. With the door fully open, most spring tension has been removed. (FIG. 4-A) Do not attempt to remove or adjust extension springs with door in the down position. Use “C” clamps to keep the door from moving or falling once the springs are removed.

Step 4-2: Detach the cable at both ends. Disassemble and remove the springs and cable completely from the door.

NOTE: Wood blocks should be placed underneath the door when closing to prevent fingers from being trapped.

Step 4-3: Remove the “C” clamps from the track and carefully close the door.

Some large doors might weigh as much as 500 pounds when the spring tension is removed. The weight of the door will not be apparent when you first begin to close the door. The door will feel progressively heavier as it is lowered until its full weight (as much as 500 pounds) is realized about one foot from the floor. A single car door may weigh as much as 200 pounds. (FIG. 4-B)

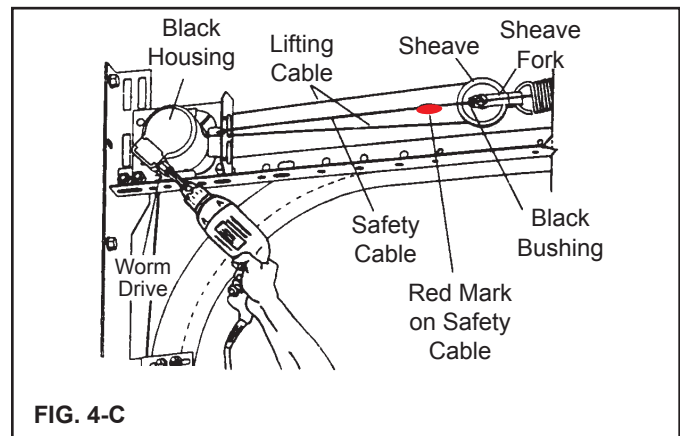
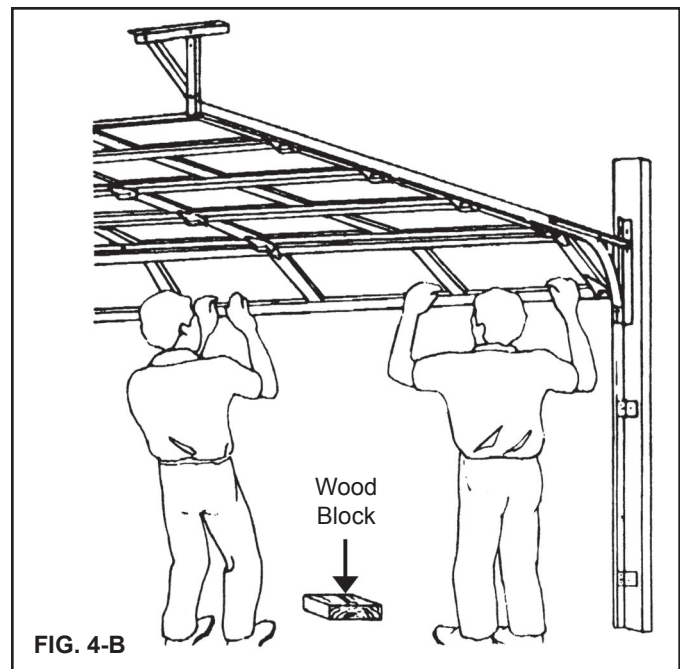
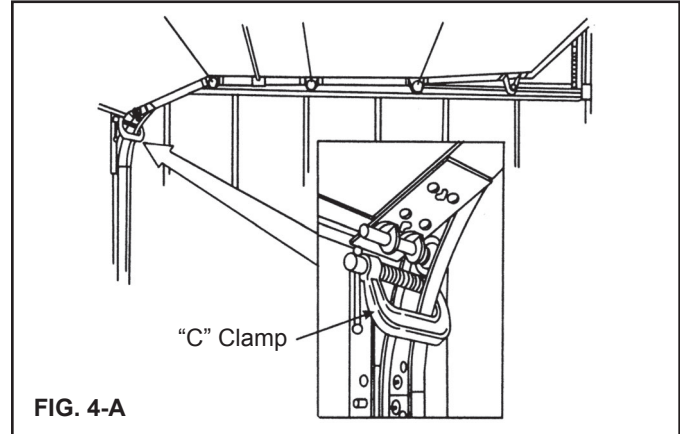


WARNING

To avoid injury, keep hands and fingers clear of section joints, track, and other door parts while the door is opening and closing.

Removing EZ-Set™ Extension or Torsion Springs

Step 4-1b: With the door in the DOWN position, position a drill with a 7/16” socket bit over the worm drive. Using the reverse (counter-clockwise) direction on the drill, remove all the tension from the spring (repeat for each side). After spring tension has been removed, detach the lift cables at both ends. Disassemble and remove the springs and cable completely from the door. (FIG. 4-C)



STEP 5 - Removing Door Sections & Track

Step 5-1: The door can now be disassembled. Starting with the top section, remove the hardware and unstack the sections one at a time. (FIG. 5-A)

Step 5-2: After all sections have been removed from the opening, detach all remaining track and hardware from the jambs. The hangers that attach the rear ends of the overhead track to the ceiling (called rear track hangers) in many cases can be reused on the new door if made of 13 gauge (3/32") or heavier steel and is not loose or unstable. (FIG. 5-B)



WARNING

To avoid installation problems which could result in personal injury or property damage, use only the track specified and supplied with the door. Do not attempt to reuse old track.

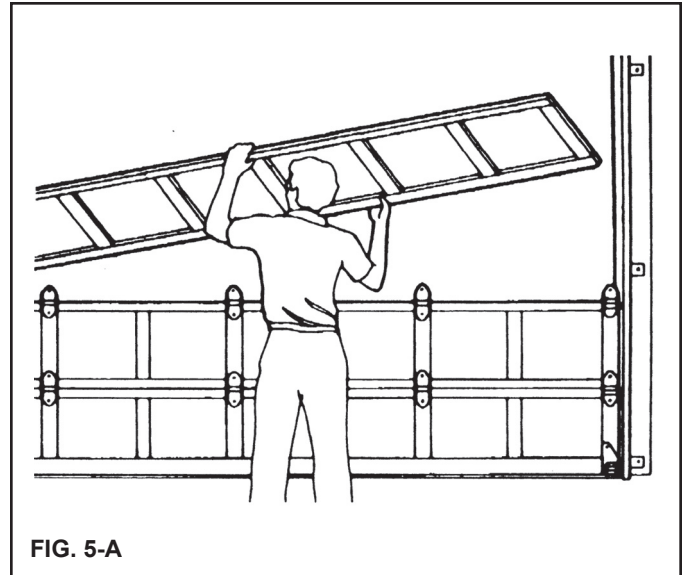


FIG. 5-A

STEP 6 - Preparing the Opening

Step 6-1: On the inside of the garage your opening should be framed with wood jambs, 2" x 6" if possible. The side jambs should extend to approximately the same height as the headroom required. If you have just removed an old door, the jambs should be inspected for the condition of the wood. If the wood is rotten, it should be replaced now. The jambs should be plumb and the header should be level. If there are any bolts fastening the jambs to the wall, the heads should be flush so they don't interfere with the installation of your new door. (FIG. 6-A)

NOTE: Rough opening (without stop molding) = Door size

Step 6-2: Door stop molding should be temporarily nailed to the edges of the jambs flush with the inside. (FIG. 6-B)

Stop molding featuring a built-in weather seal is offered as an option.

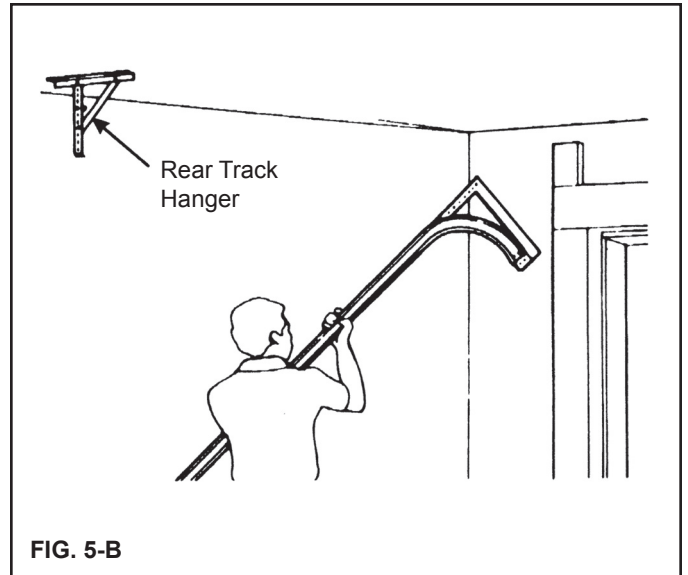


FIG. 5-B

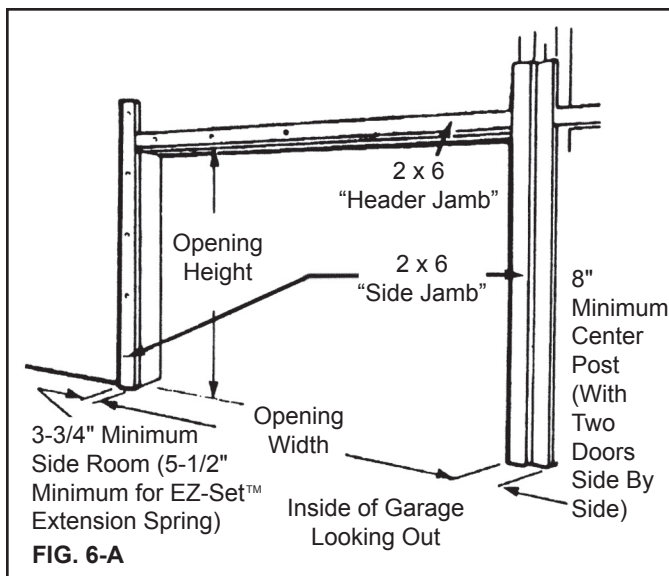


FIG. 6-A

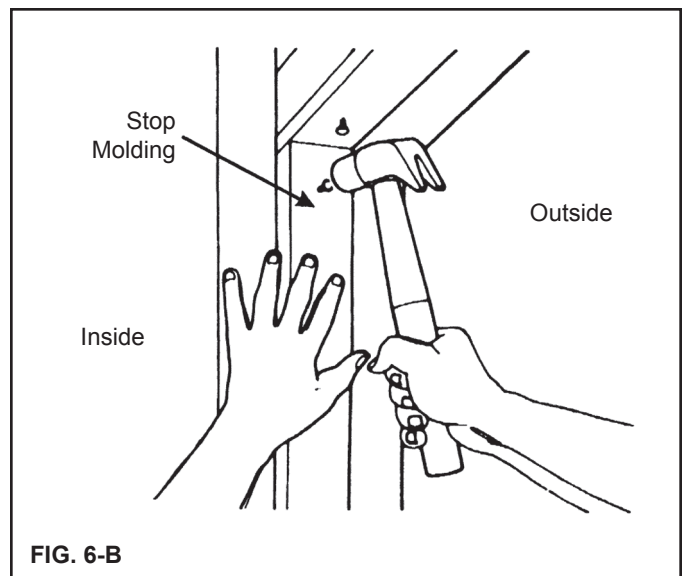
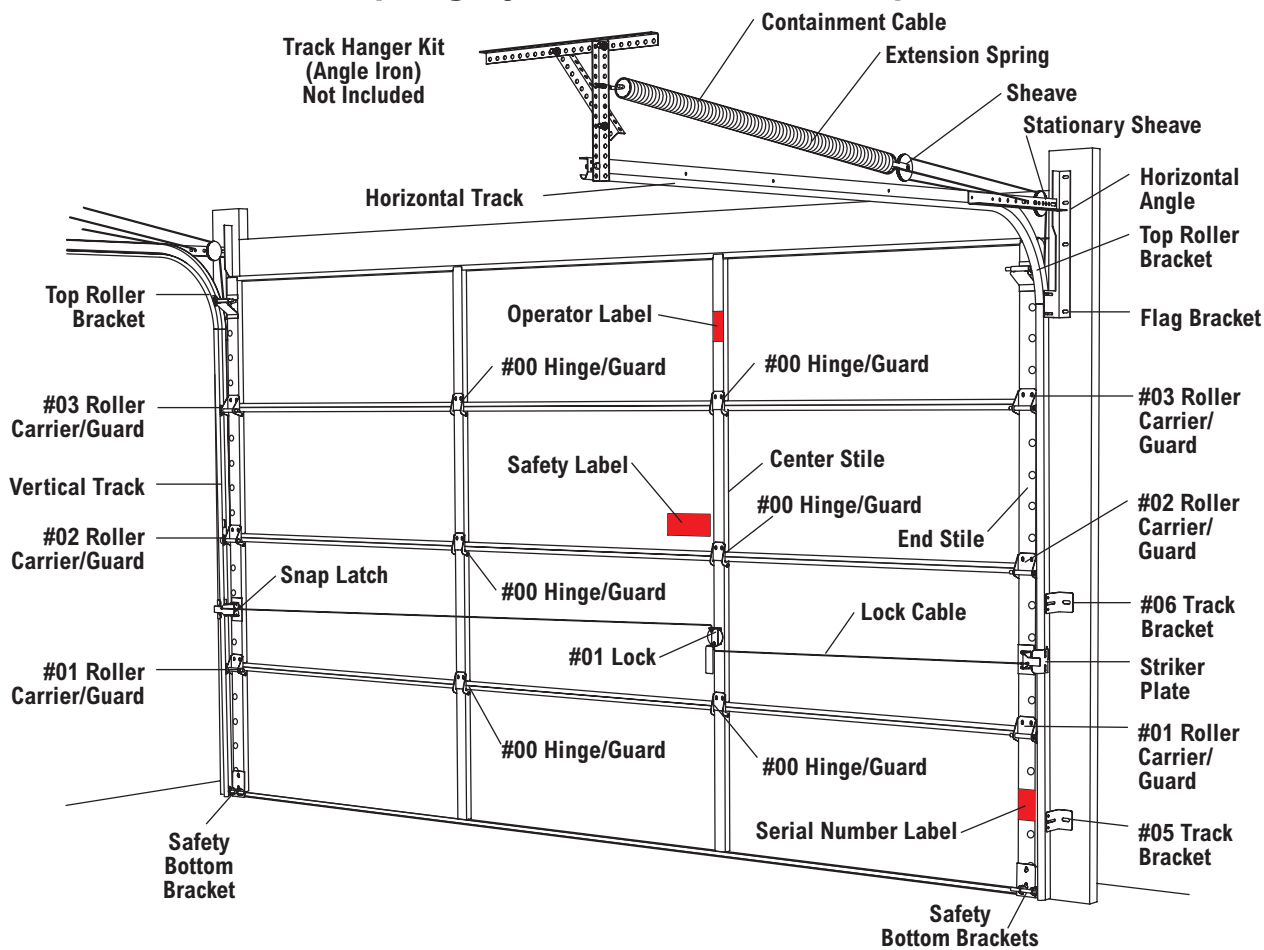
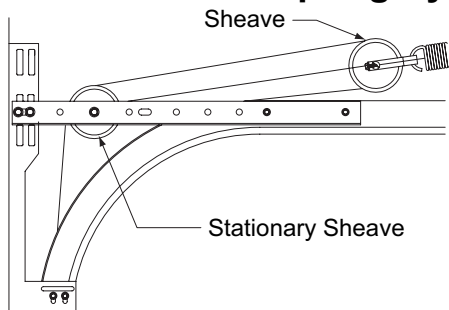


FIG. 6-B

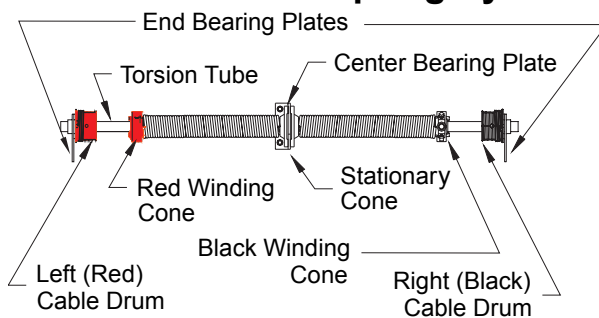
Typical Garage Door Installation Illustration Extension Spring System Shown on Complete Door



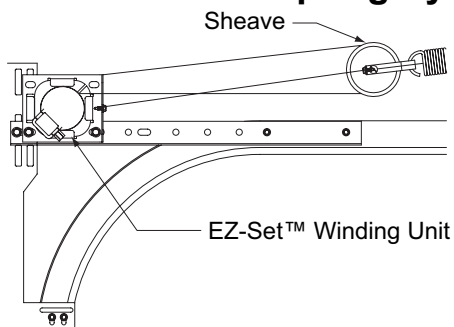
Standard Extension Spring System



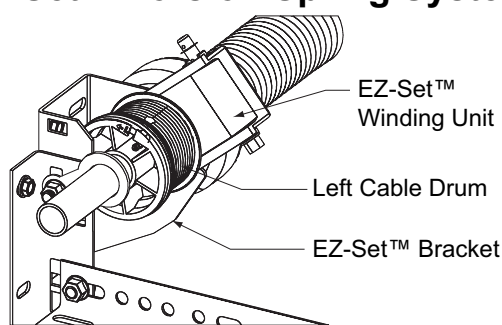
Standard Torsion Spring System



EZ-Set™ Extension Spring System



EZ-Set™ Torsion Spring System

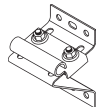

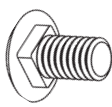
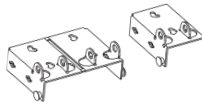


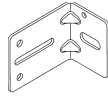


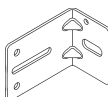

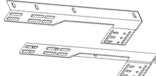
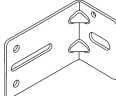




NOTE: The above illustration represents a composite of many of the features found on a variety of garage doors. While not representative of any one door, it provides a handy reference for the location of specific components

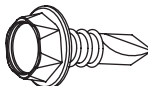

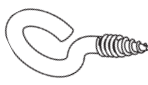
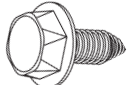
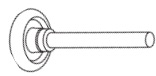
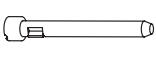
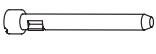
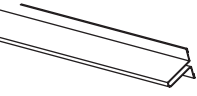
Hardware Components


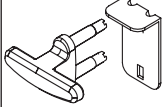
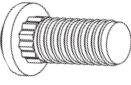


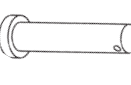

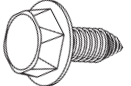
NOTE: All doors will receive (1) spring kit and (1) or more springs. Separate spring installation supplemental instructions should be included with door hardware. This supplement contains a list of all spring related hardware along with instructions on proper spring installation.

All doors will receive (2) of these items:

	Top Roller Bracket		#01 Roller Carrier		3/8" – 16 X 3/4" Carriage Bolt
	Safe-T-Bracket® Bottom Bracket (1) Pair		#02 Roller Carrier		Curved Horizontal Track
	#5 Jamb Bracket		#03 Roller Carrier		Vertical Track
	#6 Jamb Bracket		#04 Roller Carrier (5 Section Doors Only)		LH & RH Flag Bracket (1) Pair
	#7 Jamb Bracket (5 Section Doors Only)		Horizontal Angle (1) Pair		3/8" Flange Nut

(While not representative of any one model, the quantities below can be used as a guide. In some instances, extra screws/bolts are provided in the event of strip out or loss of parts.)

DESCRIPTION	DOOR SIZE*	QTY.
	S	0
	D	10
	S	18
	D	24
	S	1
	D	1
	S	56
	D	92
	S	10
	D	10
	S	3
	D	9
	S	6
	D	6
	S	0
	D	1 or 3

DESCRIPTION	DOOR SIZE*	QTY.
	S	3
	D	9
	S	1
	D	1
	S	18
	D	24
	S	10
	D	10
	S	9
	D	15
	S	1
	D	1
	S	2
	D	2
	S	4
	D	6

DESCRIPTION	DOOR SIZE*	QTY.
	S	1
	D	1
	S	1
	D	1
	S	1
	D	1
	S	3
	D	9
	S	6
	D	6
	S	0
	D	2
	S	1 or 2
	D	2
	S	10
	D	10

*DOOR SIZE: S = Single Car Doors (8'-9' W X 7' H), D = Double Car Doors (16' W X 7' H)

** Part not standard on all doors

STEP 7 – Preparing Bottom Door Section

Step 7-1: Spread the hardware on the garage floor in groups so that you can easily find the new parts. Cover sawhorses with carpet or cloth to avoid scratching the section.

Step 7-2: Find the section with the weather strip attached to one edge. This is the bottom section. Place this section face down on the sawhorses. (FIG. 7-A)

Step 7-3: Select the safety bottom brackets along with (4) #14 x 5/8" sheet metal screws. Bend and break apart the bottom brackets by hand along the end tabs as shown (FIG. 7-B). Be sure to remove connecting tabs.

Step 7-4: Insert safety tabs on the bottom bracket into the slots on the end stile. Make sure the bottom bracket is installed with the roller carrier on the bottom. Slide the bottom bracket up to fully engage the tabs (FIG. 7-C). Attach each bracket into the end stiles with two #14 x 5/8" sheet metal screws. Hook the looped ends of the steel lift cable over the buttons on the bottom bracket (FIG. 7-D). If your door came with standard extension springs, the lift cables are the longer of the two sets of cable. If your door came with EZ-Set™ Extension Springs, do NOT attach the lift cables at this time! Do NOT use the shorter safety containment cables as lift cables, as this will cause improper door function.



WARNING

Failure to properly engage safety tabs on bottom bracket into slots on edge of door can result in severe injury when spring tension is applied.

Step 7-5: Locate the pre-punched hole 3/4" below the top rail in each stile. Place a roller carrier hinge guard on each end stile and an intermediate hinge guard on each center stile with the "ears" in the upward direction as shown. Align the pre-punched hole in each stile with the hole on the hinge guard. Fasten to the stile using one hinge guard fastener. Push the fastener into the hole with your finger. If the guard rotates during fastening, adjust to make sure the "ears" are in line with the stile as shown prior to attaching the roller carrier hinge. (FIG. 7-E)

Step 7-6: Select the roller carrier with the O1 stamped on it along with one 3" keyed roller carrier pin. Straddle the end stile perpendicularly with the roller carrier while aligning the keyways on the inner leg of the stile just below the top rail. (FIG. 7-F)

Step 7-7: Insert the 3" roller carrier pin into the roller carrier and end stile, making sure the key lines line up with the keyways (FIG. 7-G on page 11). Push the pin through the stile and hinge hole on the other side until the head of the pin presses against the inner leg of the hinge. Rotate the roller carrier clockwise until it lays flat against the end stile. Twist the roller carrier pin one half turn counterclockwise.

Repeat Steps 7-6 and 7-7 for the opposite end stile.

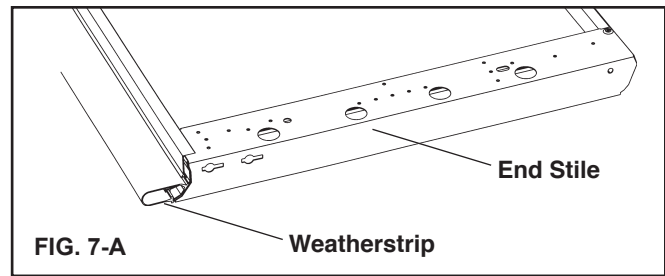


FIG. 7-A

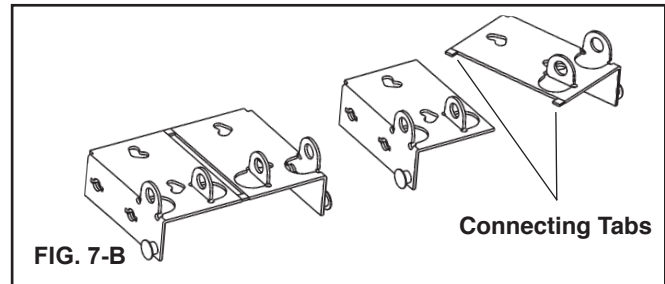


FIG. 7-B

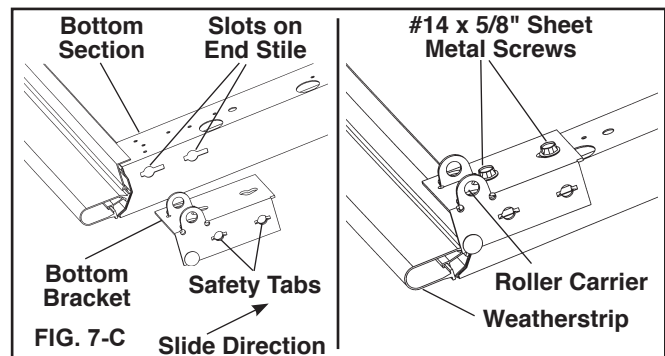


FIG. 7-C

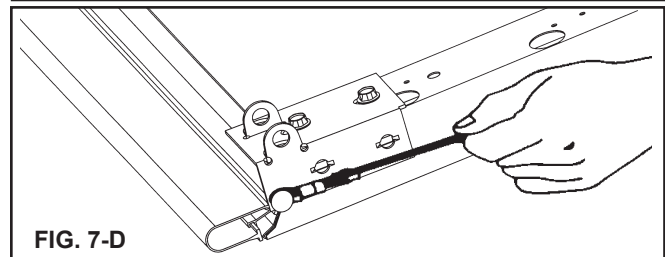


FIG. 7-D

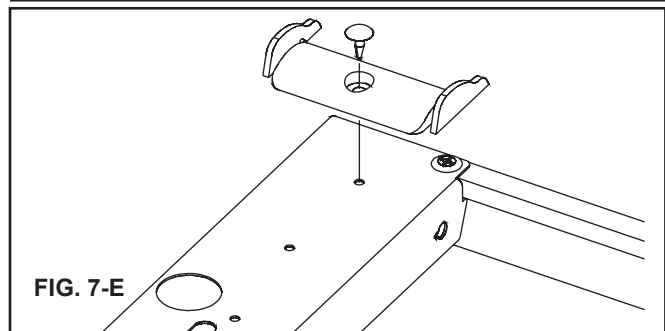


FIG. 7-E

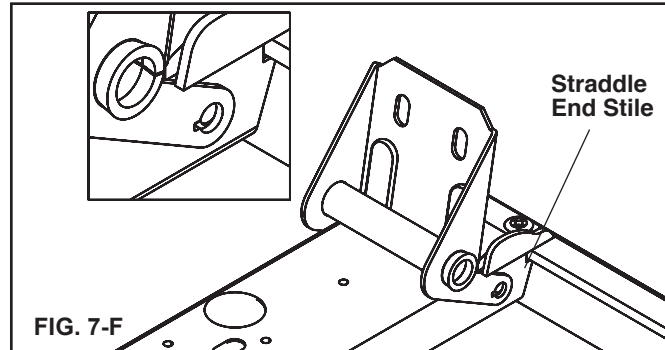


FIG. 7-F

Step 7-8: Select the hinge with the 00 stamped on it along with one 2-1/4" keyed center hinge pin. Straddle the center stile with the hinge while aligning the keyways on either leg of the stile. (FIG. 7-H)

Step 7-9: Insert the 2-1/4" center hinge pin into the hinge and center stile, making sure the key lines line up with the keyways (FIG. 7-I). Push the pin through the stile and hinge hole on the other side until the head of the pin presses against the leg of the hinge. Rotate the hinge clockwise until it lays flat against the end stile. Twist the pin one half turn counterclockwise.

Repeat Steps 7-8 and 7-9 for each center stile.

Step 7-10: Refer to Table 7-A to determine if a reinforcing strut is required on the bottom section. If required, place the strut on the section below the hinges, positioned about 1/4" from either end of the section. Attach the strut to the section using two 1/4" x 3/4" self tapping screws per stile location as shown. When predrilled holes in strut do not line up vertically with stiles, you will be required to drill two 3/16" pilot holes through the strut and the stile at each end stile and each center stile, or use a drill or impact wrench with a 7/16" socket to drive self tapping screws through strut and stile. (FIG. 7-J)

Table 7-A - Sections Requiring Struts (Doors up to 8'0" high)

Door Width	Bottom Section	2nd Section	3rd Section	4th Section	Top Section
to 14'10"	-	-	-	-	-
15'0"-16'0"	-	-	-	-	✓*
16'2"-18'0"	✓	-	✓	-	✓
18'2"-20'0"	✓	✓	✓	✓	✓

*Some doors will receive a reinforcing L-angle in place of a strut.

NOTE: Doors installed in regions prone to high wind speeds may require additional reinforcement beyond what is detailed in these instructions. Please refer to supplemental instructions for these doors. (To obtain, call the toll-free Consumer Services number found on the front page of this manual.)

Step 8 – Lift Handle Attachment

Lift Handle Preparation

Prior to installing, the tabs must be removed from the ends of the two cylinders protruding from the back of the plastic handle. Using pliers, twist each tab until it breaks off at the notch mark. (FIG 8-A)

Bottom Section

Drill two 1/2" holes through the door using the dimple mark and pre-punched hole on the center stile as a template. If your door has an outside keyed lock, the hole pattern should be drilled on the bottom section directly below the lock. If your door does not have an outside keyed lock, the hole pattern should be drilled directly below the hinge closest to the horizontal center of the door. Install the lift handle & inside step plate assembly using (2) #14 x 5/8" sheet metal screws (Fig. 8-B).

Painting Lift Handles

Plastic lift handles can be painted using a quality spray on or brushed on enamel paint.

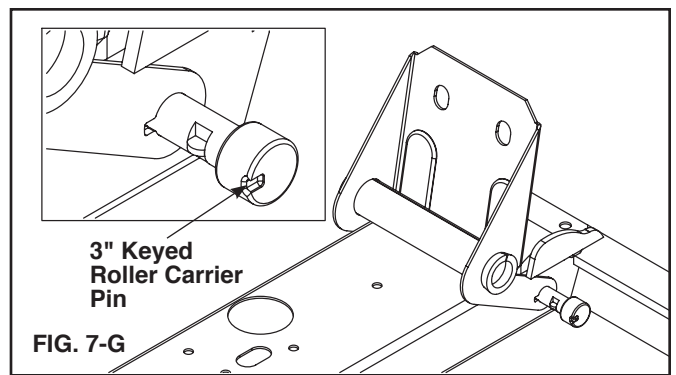


FIG. 7-G

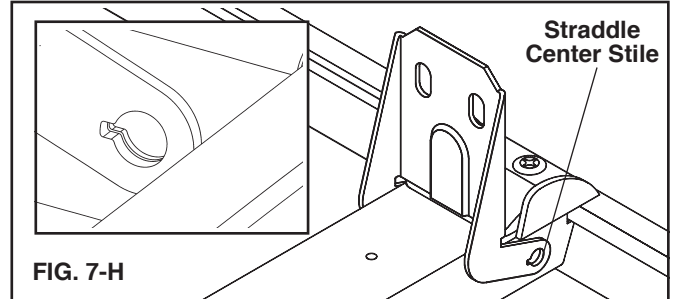


FIG. 7-H

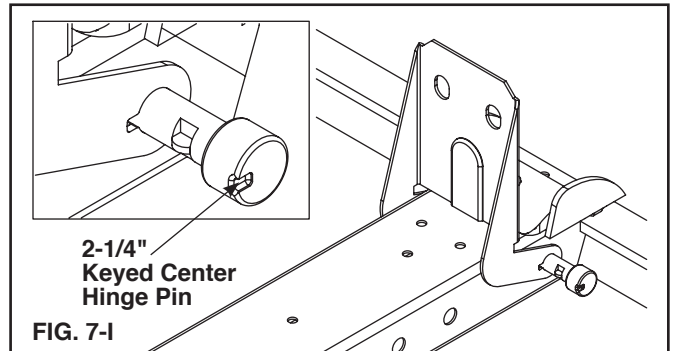


FIG. 7-I

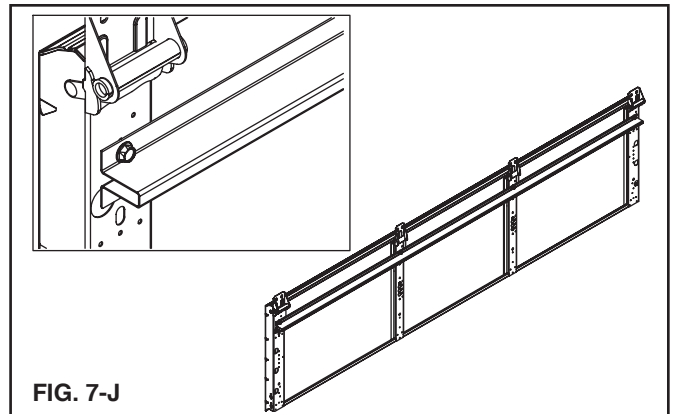


FIG. 7-J

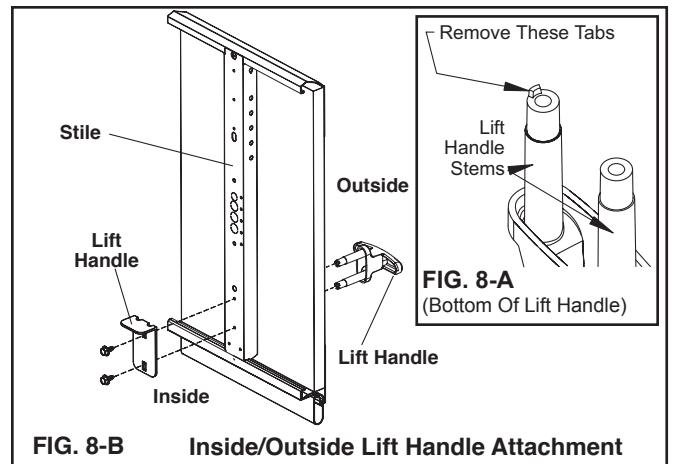


FIG. 8-B

Inside/Outside Lift Handle Attachment

Step 9 – Installing Door Sections

Step 9-1: Place the bottom section in the opening so that it is against the stop molding and centered from side to side. Place a level on the section and use a piece of wood under one end or the other (if necessary) to make the section level. (FIG. 9-A)

Remove the level and drive a 3" nail into the jambs at each end and bend it over the edge of the section to hold the section in place. (FIG. 9-B)

NOTE: These nails are all that will hold the door in place until all the tracks are secured to the back jambs. Be sure the nails hold the sections firmly in position.

Step 9-2: In general, doors that have windows have them located in the top section of the door, which does not contain a Weatherstop®. If you intend to position your windows in a section other than the top section, you must remove the Weatherstop® from the section you will be using for the top section, and install it in the window section. Failure to do so will void your warranty. Locate the Weatherstop® at the top of the section and carefully pull it out of the channel at an angle perpendicular to the top of the section, making sure to keep it relatively straight. Do NOT “peel” the Weatherstop® away or fold or bend it in any way that would create a sharp angle and cause creasing. Locate the channel on the top of the window section. Install the Weatherstop® beginning at the inner wall of one end stile by applying continuous pressure with your thumb to snap it into the channel as you move from one end of the section to the other. To work properly, the seal must be snapped completely into place. (FIG. 9-C)

Step 9-3: With Table 9-A below, determine the order in which you will attach the remaining sections.

Table 9-A – Section Order for Various Door Heights

Door Height	(Bottom) Section	2nd Section	3rd Section*	4th Section	Top Section
6'0"	18"	18"	18"	18"	-
6'3"	18"	18"	18"	21"	-
6'6"	21"	18"	18"	21"	-
6'9"	21"	21"	18"	21"	-
7'0"	21"	21"	21"	21"	-
7'6"	18"	18"	18"	18"	18"
7'9"	18"	18"	18"	18"	21"
8'0"	21"	18"	18"	18"	21"

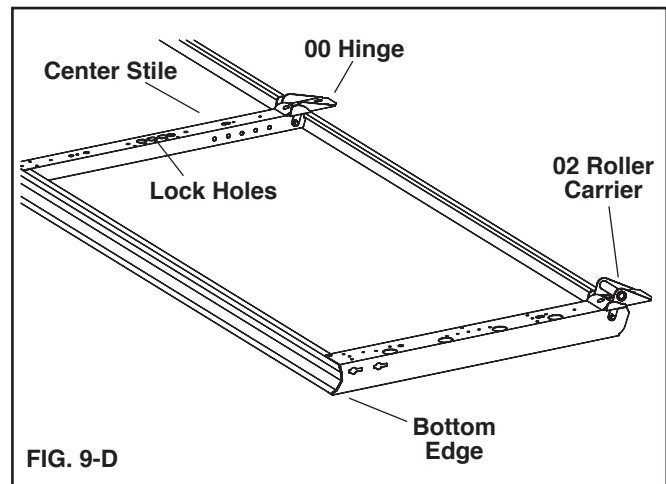
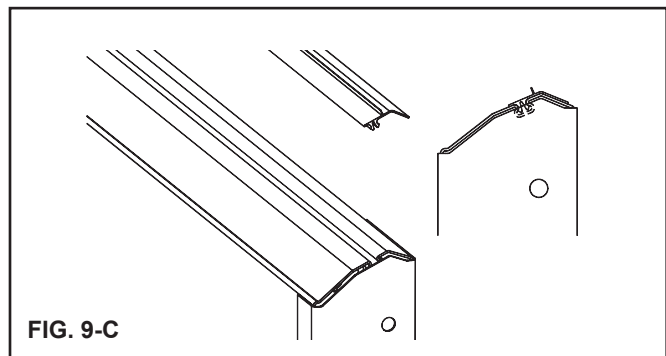
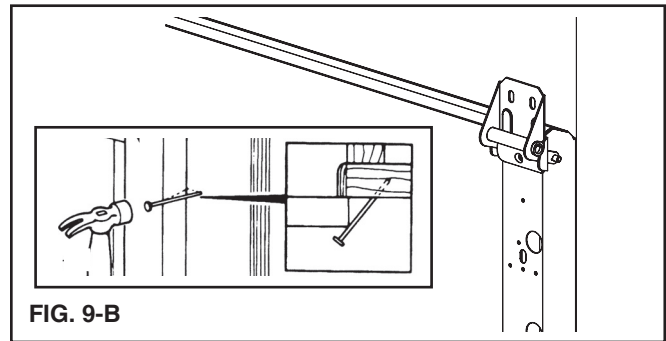
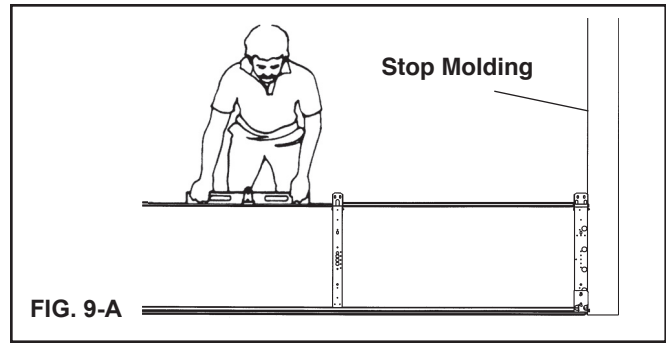
*Section with general safety label

NOTE: For stacking order for doors greater than 8'0" high, refer to the Supplemental Instructions for Extended Height Doors.

Step 9-4: Place the next section face down on the sawhorses.

If your door is predrilled for a lock, this section will be the one with the holes in the center of the panel face. Identify the bottom edge as shown in the illustration (FIG 9-D). Install a 02 roller carrier at each end stile and a 00 hinge at each end stile following the procedure described in Steps 7-5 through 7-9.

Step 9-5: Keyed Lock Installation. If you wish to install a keyed lock, begin the lock installation now according to the supplemental instructions included with the lock hardware.



Step 9 – Installing Door Sections (Continued)

Step 9-6: Refer to Table 7-A on page 11. If a reinforcing strut is required on this section, refer to Step 7-10 for attachment instructions.

Step 9-7: Place the second section on top of the first section. Drive a 3" nail into the jambs at each end and bend it over the edges of the section to hold the section in place. Attach the roller carriers and hinges from the top of the first section to the bottom of the second section using two #14 x 5/8" sheet metal screws each. (FIG. 9-E)

Step 9-8: From Table 9-A, identify the third section and place on the sawhorses. Install a 03 roller carrier at each end stile and a 00 hinge at each end stile following the procedure described in Steps 7-5 through 7-9.

Step 9-9: Refer to Table 7-A on page 11. If a reinforcing strut is required on this section, refer to Step 7-10 for attachment instructions.

Step 9-10: Place the third section on top of the other sections and nail in place as before. Attach the roller carriers and hinges from the top of the previous section to the bottom of the third section. (FIG. 9-E)

NOTE: If you have two sections left, repeat steps 9-8 through 9-10 using 04 roller carriers at the end stiles and a 00 hinge at each center stile.

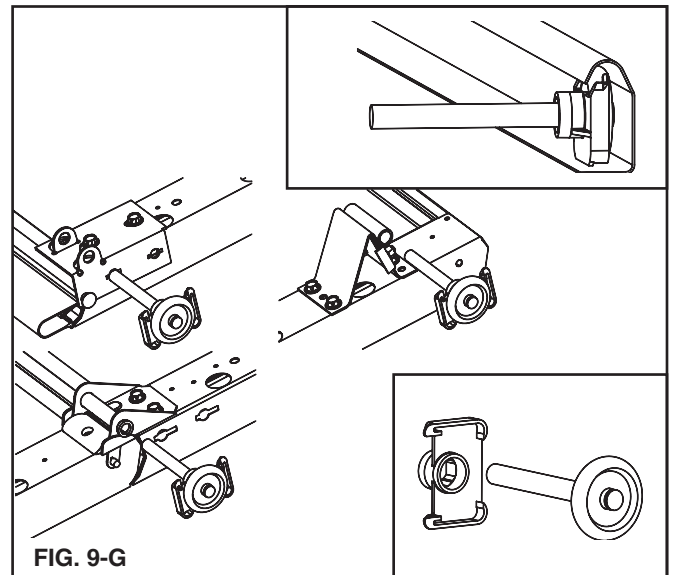
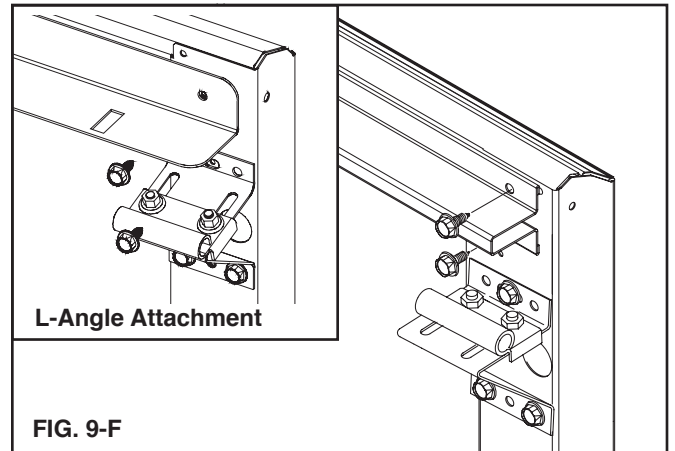
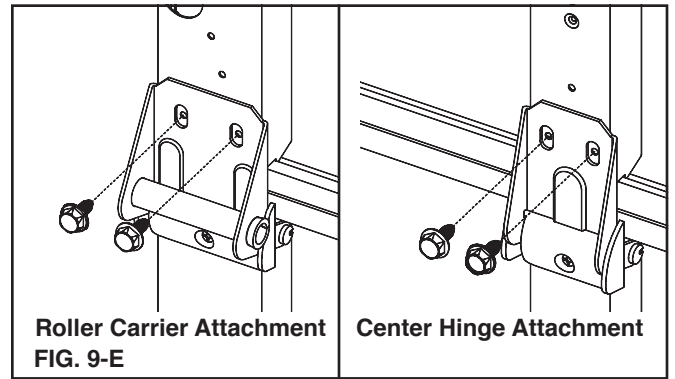
Step 9-11: Place the last section on the sawhorses. Attach the top roller brackets with three #14 x 5/8" sheet metal screws into the pre-punched holes located approximately 3-1/4" and 6-1/4" from the top of the section as shown. (FIG. 9-F)

Step 9-12: Refer to Table 7-A on page 11. If a reinforcing strut or L-angle is required on this section, attach above the top brackets as shown 1/4" x 3/4" self tapping screws at each stile location. (FIG. 9-F)

Step 9-13: Place the top section on top of the other sections and nail in place as before. Attach the roller carriers and hinges from the top of the previous section to the bottom of this section. (FIG. 9-E)

NOTE: If your door is to be used with an electric operator, you must reinforce the top section before placing it in the opening. Proceed to step 10 prior to completing this step.

Step 9-14: Locate the rollers and roller guards. Align the flanges on the roller guard as shown with the shaft of the roller. Slide the guard onto the roller shaft. Repeat roller guard assembly for each roller. Place a roller with guard in each top bracket, bottom bracket, and roller carrier tube. Make sure only the tapered side of the guard fits into the "J" hook or tapered profile of the track. (FIG. 9-G)



Step 10 – Reinforcing the Top Section For Opener Attachment



WARNING

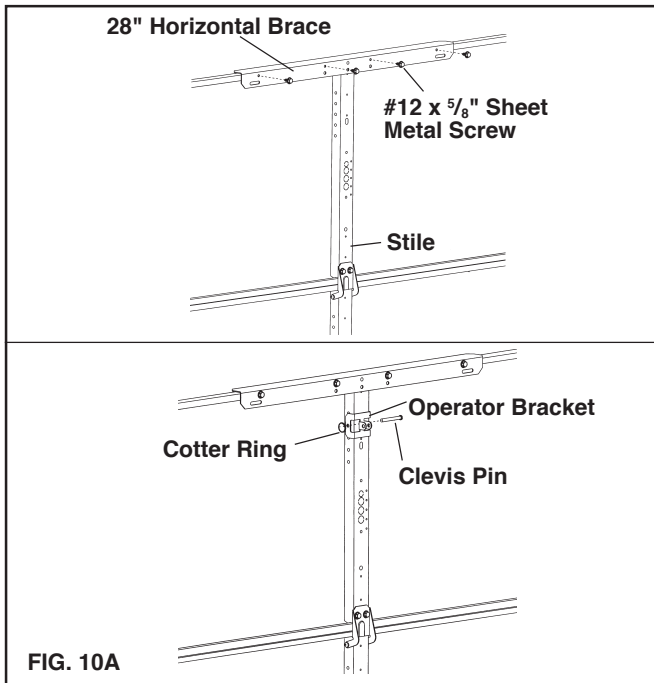
To avoid risk of strangulation or personal injury to children, you must remove the pull down rope when you install an automatic garage door opener.

IMPORTANT: When installing an automatic garage door opener, make sure to follow the manufacturer's installation and safety instructions carefully. **Do not install the pull down rope when attaching an automatic opener. The lock should be removed or disengaged to prevent damage to the door.** If attaching an operator bracket to the wood anchor pad, make sure the wood anchor pad is free of cracks and splits and is firmly attached to the wall. Always drill pilot holes before attaching lag screws.

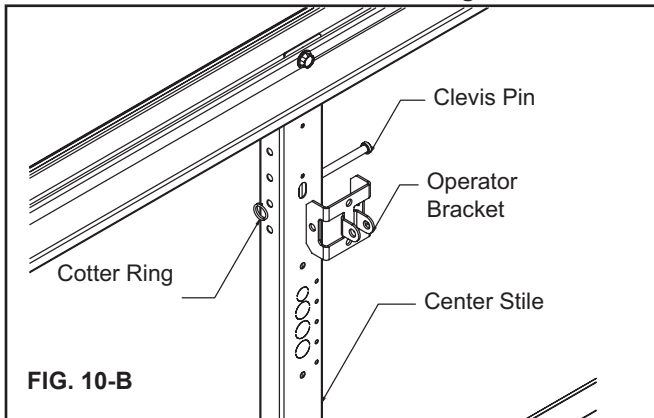
To avoid damage to your door, you must reinforce the top section in order to provide a mounting point for the opener to be attached. Refer to the adjacent figures to identify the attachment method for your specific door.

NOTE: The components depicted on this page are not provided as standard on all doors.

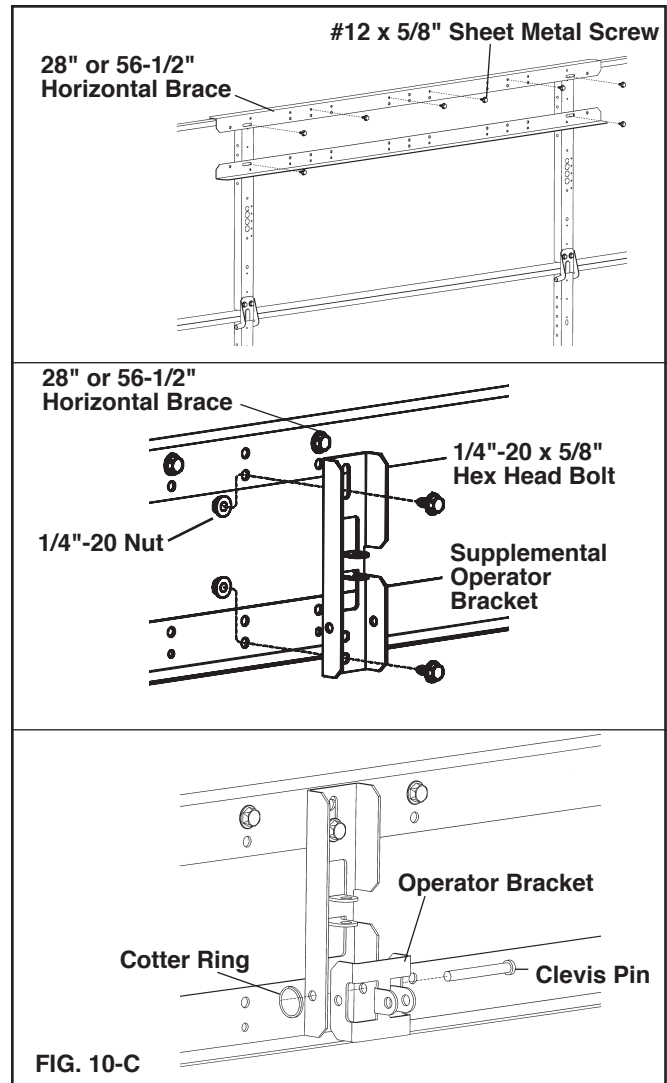
Odd Number of Stiles with No Strut or L-Angle



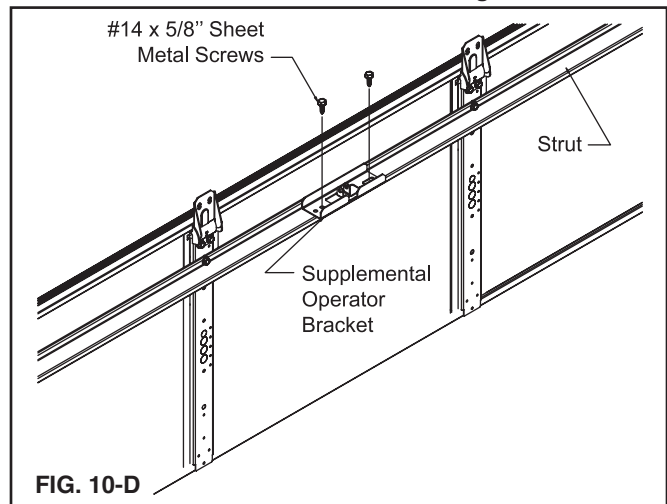
Odd Number of Stiles with Strut or L-Angle



Even Number of Stiles with No Strut or L-Angle



Even Number of Stiles with Strut or L-Angle



STEP 11 – Assembling and Installing the Track

Before assembling brackets to vertical track be sure to read Step 11-1 and Step 11-2. Refer to illustration for placement of brackets on track.

NOTE: Brackets may already be riveted in place. If additional adjustment is required, the rivets can be drilled out and the brackets can be reattached with track bolts and flange nuts (available through the toll-free Consumer Services number, see outside cover).



WARNING

To avoid installation problems that could result in injury or property damage, use only track provided with new door.

Step 11-1: Loosely fasten the track brackets to the vertical track using one 1/4" x 5/8" track bolt and 1/4" flange nut as shown with the head of the bolt inside the track. There are two sizes of brackets for 7' high doors, and three sizes for 8' high doors. The shortest track brackets should be installed ten inches from the bottom of the track with the flange facing the flat side of the track, one on the left and one on the right. The next larger sized pair of brackets should be installed centered on the track. If you have an 8' high door, the remaining pair of brackets should be installed ten inches from the top of the vertical track. The flat side of the track goes toward the wall. (FIG. 11-A)

Step 11-2: Loosely attach the flag bracket to the top of the track with two 1/4" x 5/8" track bolts and 1/4" flange nuts with the head of the bolts in the track. Make sure bolts and nuts are attached through the proper holes in flag bracket for your door thickness. (FIG. 11-C)

(Refer to FIG. 11-B to determine proper bolt placement.)

NOTE: If additional adjustment is required, horizontal slots in flag brackets can be used for attachment to vertical track.

Step 11-3: Place the track over the rollers on the door. Move the track close to the door so that the rollers are all the way into the hinges. Do not force the track too tightly or the door will bind. This should leave about 1/2" between the edge of the door and the track. Pilot holes of 3/16" are required at each lag screw location before installing the lag screw. Lift track about 1/2" from the floor and fasten the flag bracket and track brackets to the jamb with 5/16" x 1-5/8" lag screws. The flag bracket requires three screws, one each in the top, middle, and bottom holes. Do this for both sides of the door. When the track brackets and flag brackets are securely fastened to the jamb, tighten the track bolts and flange nuts connecting the flag brackets to the tracks. (FIG. 11-D)

NOTE: The tops of the vertical tracks must be level with each other. Check this by measuring from the top of the door sections to the top of the track on both sides. If they are not equal, cut some material off the bottom of one track to lower it or raise the other track.

Do not raise the vertical track beyond the bottom rollers on the bottom section of door.

NOTE: Do not attach any brackets directly to drywall. All track brackets, flag brackets, and spring brackets should only be attached directly to wood bucks.

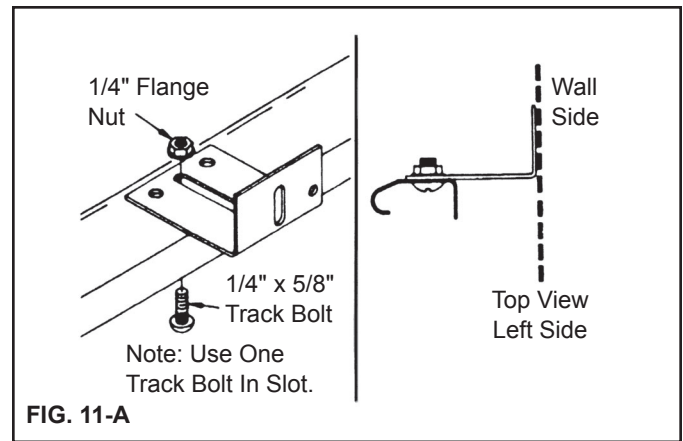


FIG. 11-A

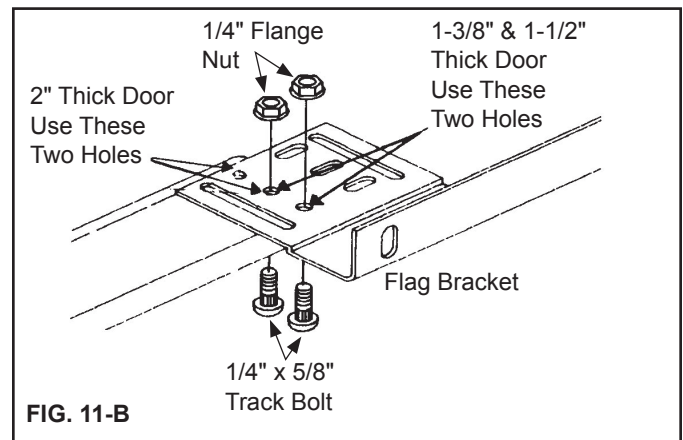


FIG. 11-B

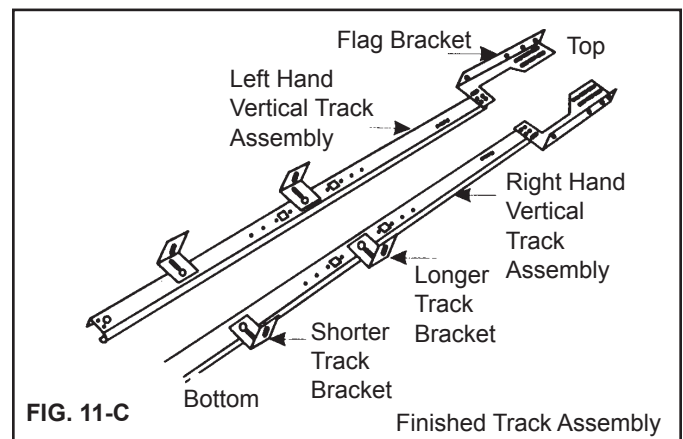


FIG. 11-C

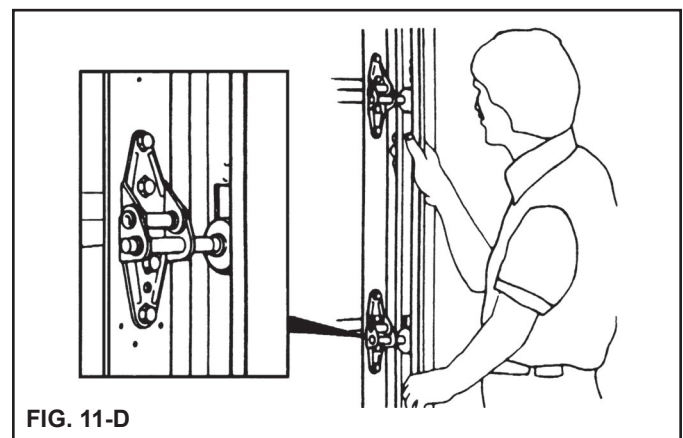


FIG. 11-D

STEP 11 - Assembling and Installing the Track (Continued)

NOTE: Pressure-treated lumber purchased after January 2004 is treated with chemicals that have highly corrosive effects on metal fasteners. The fasteners provided with your door are intended for use with standard lumber (not pressure-treated) only. If you are installing your door into an opening framed with pressure-treated lumber purchased after January 2004, two items must be changed: 1) 5/16" x 1-5/8" lag screws with a minimum galvanization equivalent to G185 must be purchased for this application, and 2) to prevent potential corrosion between lumber and track/spring components, paint either the surface of the pressure-treated lumber or those surfaces of the track and spring components that come in contact with the pressure-treated lumber.

Step 11-4: Fasten the horizontal angle to the horizontal (curved) track with two 1/4" x 5/8" track bolts and 1/4" flange nuts so that the heads of the track bolts are on the inside of the track. On some doors this angle may be 82" long and will require three additional fasteners per side. If the angle has been preassembled, skip Step 11-4 and proceed with Step 11-5. (FIG. 11-E)

Step 11-5: Temporarily support the rear end of the track with a rope from the trusses overhead in the garage or on a tall ladder. (FIG. 11-F)

Step 11-6: Place the track over the roller in the top bracket. Attach the curved end of the horizontal track to the flag bracket with two 1/4" x 5/8" track bolts and 1/4" flange nuts so that the heads of the screws are on the inside of the track. The horizontal and vertical track must join together to form a continuous channel for the rollers. Attach the end of the horizontal angle to the top of the flag bracket with a 3/8" x 3/4" carriage bolt and 3/8" hex nut. Use the top set of slots for 15" radius track, the middle set of slots for 12" radius track, and the bottom set of slots for Low Headroom track. (FIG. 11-G)

Step 11-7: Rear track hangers need to be made at this time. Use 1-1/4" x 1-1/4" punched angle, 13 gauge or 3/32" steel. These are not provided with the standard hardware. They are used to attach the rear of the horizontal track to the ceiling joist.

Enough angle iron or punched angle should be purchased to make two rear track hangers. These hangers must be strong enough to hold the full weight of the door. Attach a bolt at least 1" long through the end of each track to stop the door at the end of its travel. (FIG. 11-H)



WARNING

Sway braces must be used to prevent tracks from spreading and allowing door to fall, which could cause serious injury. Bolts placed in the end of each track (FIG. 11-H) must be at least 1" long to prevent the top section from exiting the track.

NOTE: Rear track hangers should not be mounted any farther than 6" from the end of horizontal track.

Step 11-8: Placement of rear track hangers is critical for the door to operate properly. The rear track hangers should hold the horizontal track level and square to the door. Squareness should be measured by comparing two diagonal distances: 1) the distance from the top left-hand corner of the door to the rear of the right-hand horizontal track and 2) the distance from the top right-hand corner of the door to the rear of the left-hand horizontal track. (FIG. 11-I, opposite page)

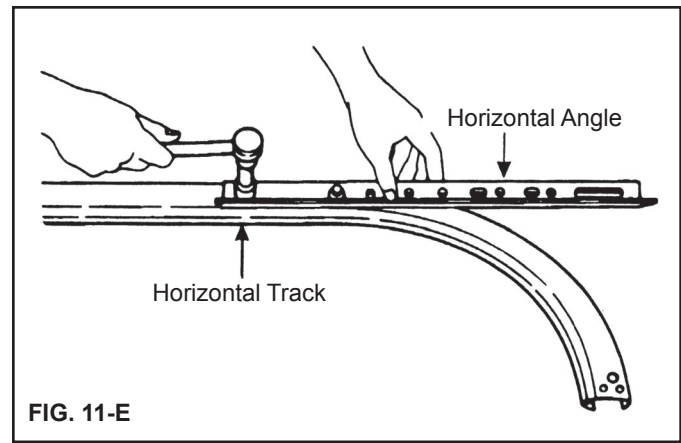


FIG. 11-E

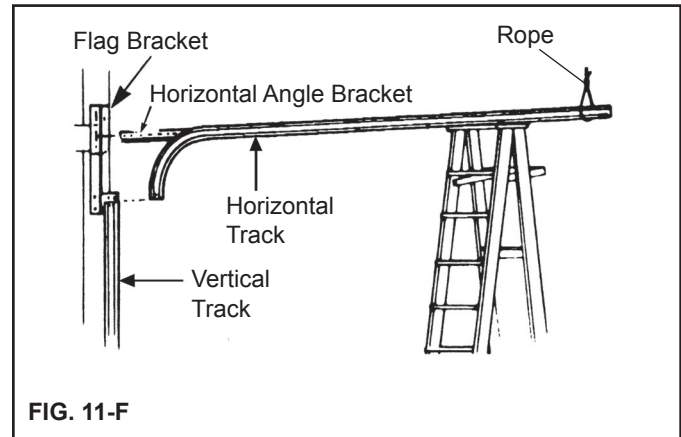


FIG. 11-F

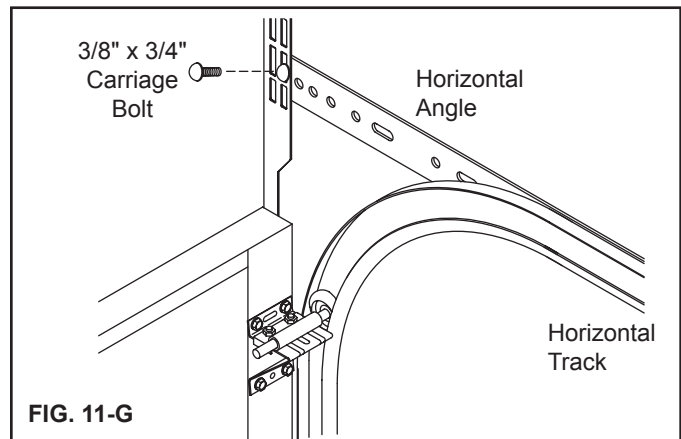


FIG. 11-G

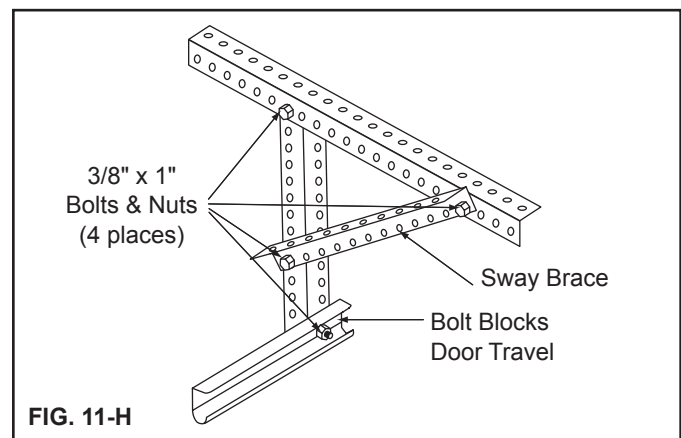


FIG. 11-H

Step 11-8, Continued: Adjust the position of the tracks if the squareness distances are not within 1/2" of each other. Horizontal track can be out of level up to 1" from front jamb to rear track hanger. (FIG. 11-I)

When the track is square and level with the opening, the track hangers can be fastened permanently to the ceiling trusses. Three 5/16" x 1-1/2" lag screws are recommended. Be sure 3/16" pilot holes are drilled before installing 5/16" lag screws. The attachment must be strong enough to hold the weight of the door.



WARNING

Use adequate length screws to fasten rear track hangers into trusses. Door may fall and cause serious injury if not properly secured.

Step 11-9: With the track installed, the top door section can now be properly adjusted. With the slide on the top bracket loose, force the top of the door against the stop molding or door jamb. Pull the roller towards you so it is tight against the groove in the track and tighten the slide bolts. (FIG. 11-J)

At this time, remove the 3" nails that were used to hold sections in place prior to installation of the track assembly. (Refer back to FIG. 9-B.)

STEP 12 – Lock Installation (If Included)

Keyed Lock:

If your door has an exterior keyed lock, please complete the installation of the lock at this time following the instructions provided with your lock hardware. If your door has a slide bolt lock, install according to the instructions below.

Slide Bolt:

The inside slide bolt is installed on the end stile of the second section using (4) #14 x 5/8" hex head sheet metal screws (steel doors) or (4) 1/4" x 1" lag screws (wood doors). (FIG. 12-A)

NOTE: 3/16" holes may have to be predrilled before installing screws.

The slide bolt rests against the top of one of the rectangular engaging slots in the vertical track. Proper alignment is easier to achieve by using track as a guide.

NOTE: It may be necessary to knock out the slug in the vertical track to open the slot for lock engagement. Remove slug by striking with a hammer from the outside of the track.

IMPORTANT: If your door is going to be equipped with an automatic garage door opener, make sure that the door is always unlocked when the opener is being used. This will avoid damage to the door.

STEP 13 – Pull Rope (Manually Operated Doors Only)

To complete the door section installation, tie the pull rope provided to the bottom roller shaft. (FIG. 13-A)

STEP 14 – Spring Installation

It is now time to install the spring. Proceed to springing instructions that came with your spring hardware.

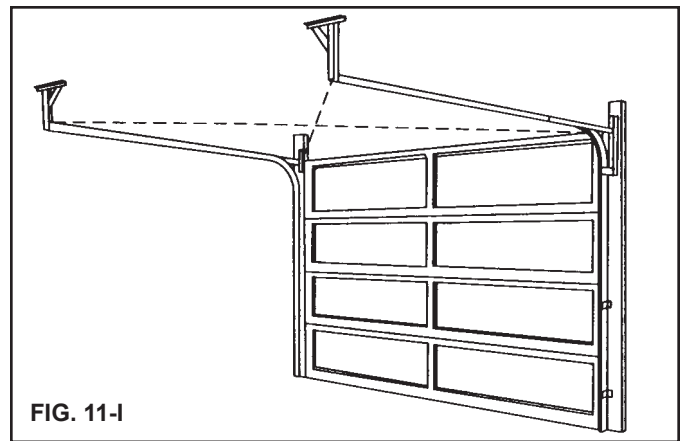


FIG. 11-I

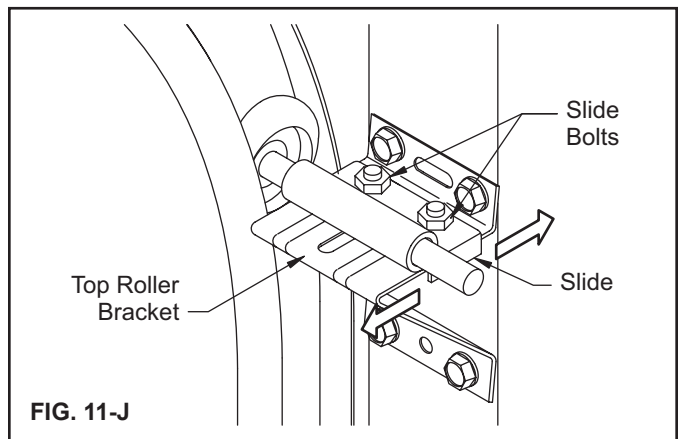


FIG. 11-J

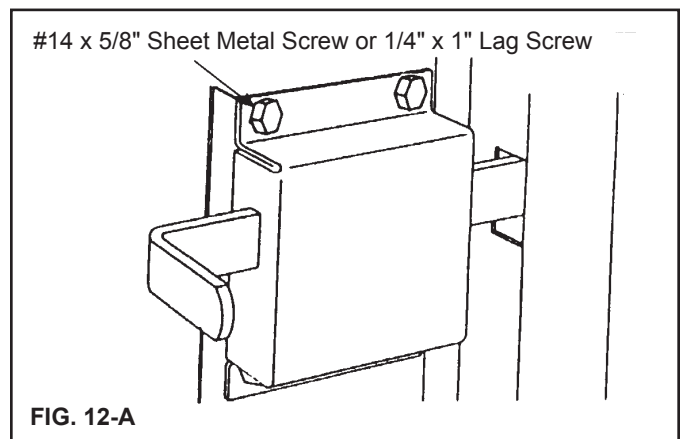


FIG. 12-A

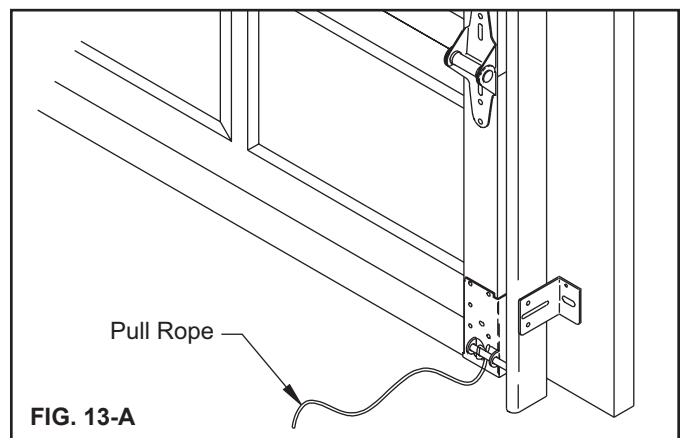


FIG. 13-A

STEP 15 – Attaching an Automatic Opener

IMPORTANT: To avoid damage to your door, you must reinforce the top section of the door in order to provide a mounting point for the opener to be attached. Refer to the section of this manual titled Reinforcing the Top Section on page 14 for specific instructions. Failure to reinforce the door as illustrated will void the warranty on your door.



WARNING

To avoid risk of strangulation or personal injury to children, if your door has a pull rope, you must remove the pull down rope when you install an automatic garage door opener.

IMPORTANT: When installing an automatic garage door operator, make sure to follow manufacturer's installation and safety instructions carefully. **Remove the pull down rope and unlock or remove the lock.** If attaching an operator bracket to the wooden anchor pad, make sure the wood anchor pad is free of cracks and splits and is firmly attached to the wall. Always drill pilot holes before attaching lag screws.

The operator arm will usually be attached to the vertical reinforcement member at roughly the same height as the top roller of the door. Attach the opener arm to the reinforcement as shown in Figures 15-B to 15-D. To prevent the top of the door from bending, the opener rail should be mounted no less than 2" and no greater than 5" from the face of the door with the door in the open position (FIG. 15-A). Additionally, when the door is closed, the portion of the operator arm attached to the door should be at angle of approximately 60 degrees from the vertical (FIG. 15-B).

Opener Rail Mounting Distance

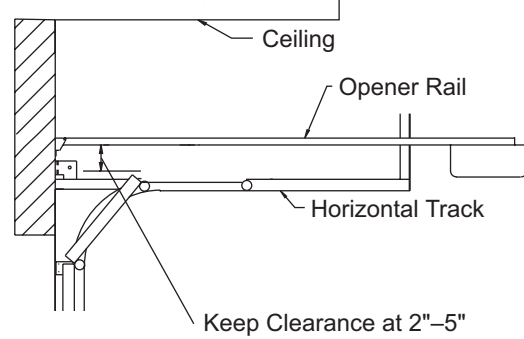


FIG. 15-A

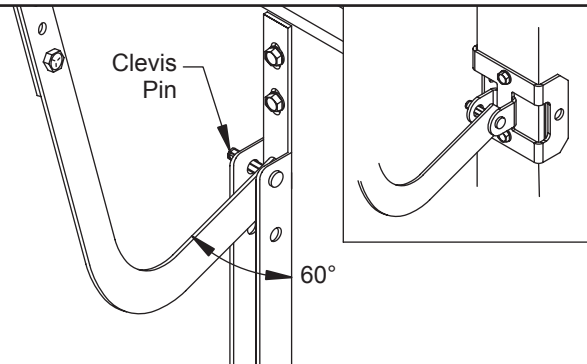
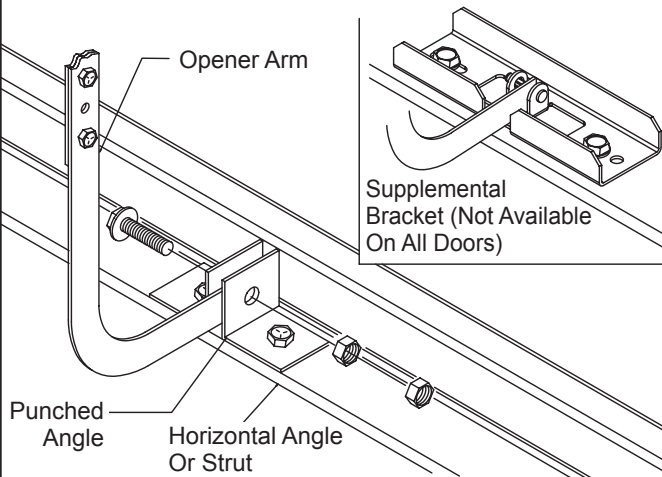


FIG. 15-B (Doors with supplied Reinforcement Bracket and Stile in Center of Door)

Opener Arm Attachment To Horizontal Angle Or Strut



Front View (Assembled)

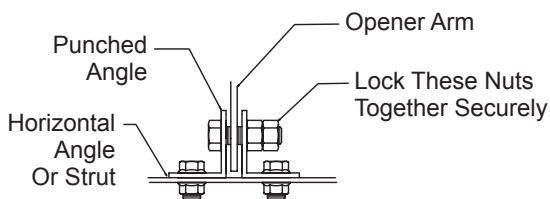
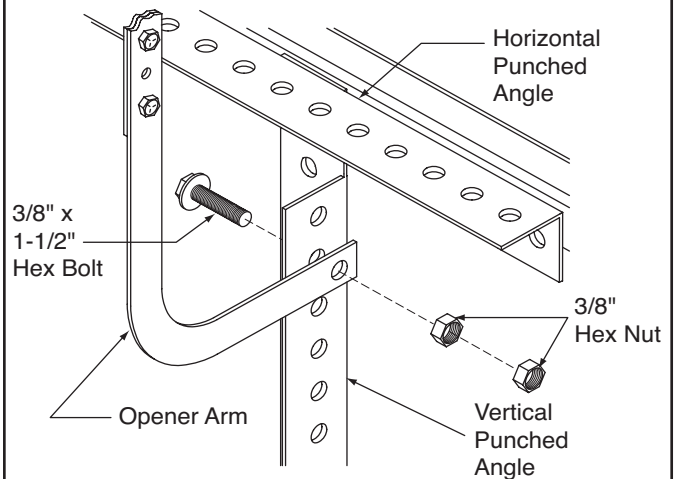


FIG. 15-C (Doors with odd number of Panels)

Opener Arm Attachment To Vertical Angle



Top View (assembled)

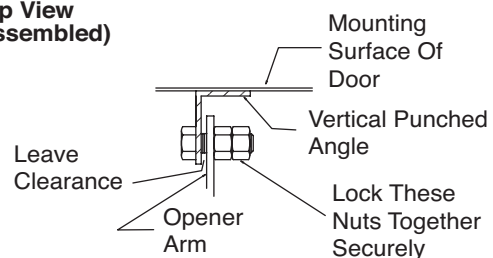


FIG. 15-D (Doors with Angle Iron Reinforcement Bracket and Stile in Center of Door)

Painting your Door

Painting: Your steel garage door can be painted with a high quality 100% acrylic latex (flat, satin, or semigloss) exterior grade paint. Before painting the door it must be free of dirt, oil, caulk, waxes and mildew.

Do not use any type of oil based paint or Alkyd modified acrylic latex paint. These paints will void the warranty of your door.

Painting preparation: Clean surface first with a diluted solution of Trisodium Phosphate. The recommended concentration is 1/3 cup of powder to 1-1/2 to 2 gallons of water. A cleaning pad (3M Synthetic steel wool GRAY not green) should be used saturated with this cleaning solution. Rub with even pressure to lightly scuff the surface while applying the cleaning solution over all surfaces to be painted. A final wipe and rinse with clean water and sponge should be done to remove any loose material. Change water often to ensure clean rinse and allow to dry. Pre test your paint on a small area (see paragraph **Paint** below). If the paint shows signs of poor adherence, (tape test below) there may be a problem with the paint or the surface preparation. **DO NOT PROCEED!** A new paint or further preparation of the surface is called for.

Alternate cleaning compounds: Areas of the country that do not carry Trisodium Phosphate can use a biodegradable cleaner with the cleaning pad above. Follow above directions to rinse completely and pre test paint.

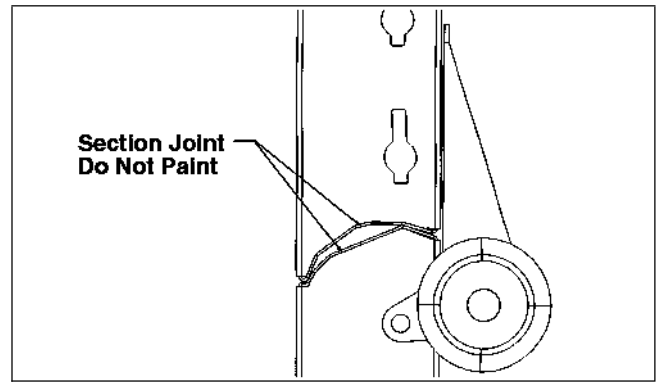
NOTE: Sanding could remove rust-inhibiting compounds, therefore, sanding should be done only to damaged areas where bare metal has been exposed. Refer to the "Paint Repair" section of these instructions.

Paint Repair: Should your door's paint finish become damaged, exposing the bare metal, it will become necessary to repair this area to prevent rust from forming. The damaged area should be lightly sanded with a medium to fine sandpaper making sure to remove all visible red and white rust. Wipe this area with a dry, clean rag. Coat the sanded area with a high quality, rust inhibiting, zinc enriched primer. This type of primer can be found at most paint or hardware stores, and should be labeled for covering bare and galvanized steel. Once the primer is applied, wait the time specified on the primer's instructions before you finish painting your door.

Paint: Your steel garage door can be painted with a high quality, 100% acrylic latex (flat, satin, or semigloss) exterior grade paint. Since all paints are not created equal, the following test needs to be performed: paint should be applied on a small area of the door (following the instructions on the paint container), allowed to dry, and evaluated prior to painting the entire door. Paint defects to look for are blistering and peeling. An additional test is to apply a strip of masking tape over the painted area and peel back, checking to see that the paint adheres to the door and not to the tape.

After satisfactorily testing a paint, follow the directions on the container and apply to the door. Be sure to allow adequate drying time should you wish to apply a second coat. Window frames & inserts can be painted with a high quality, 100% acrylic latex. The plastic should first be lightly sanded to remove any surface gloss.

NOTE: Do not apply paint when door surface temperature is different from manufacturer's suggested temperature range for application.



Caution: The section joints of this garage door have been designed to operate at precise tolerances. **Do not paint the joints of the sections** as difficulty in operation may result that will not be covered by the limited warranty.

Snap-In Decorative Insert Removal And Replacement:

NOTE: DO NOT REMOVE SCREWS from the window frame. Decorative inserts are designed to snap-in and out of the window frame.

Some doors with windows have a decorative insert attached behind the window. They may be moved to the outside of the glass, or can be removed for cleaning or painting purposes.

- 1) Remove the four tabs of the insert from under the edge of the inside window frame. There is one tab on each side and one on the top and bottom of the insert.
- 2) The insert can be firmly pulled out of the window.
- 3) Replacing the insert is the reversal of the process described for removal. The four tabs must be pressed under the lip in the window frame.
- 4) If preferred, the insert can be snapped into the frame on the outside of the glass.

Glass Replacement



WARNING

To avoid injury, use extreme caution in handling glass window pane. When the frame is removed, the exposed steel edge of the door may be sharp. Avoid contact with the steel edges.

Glass Replacement: If your door is equipped with windows and the glass should need replacement, follow the steps below:

- 1) With someone holding the outside frame, remove the screws from the inside window frame.
- 2) Pull the inside frame out of the door.
- 3) Carefully remove the broken or old glass.
- 4) Insert the new glass. The glass should be 11" by 18-1/2" (standard panel windows) or 11" x 40-1/4" (long panel windows).
- 5) With someone holding the outside frame, reinsert the screws into the inside frame, trapping the glass.

Annual Maintenance

- 1) Lubricate all moving parts of the door with light household oil, including:
 - a) Lift cables at the bottom bracket button
 - b) Bearing of the sheaves
 - c) Lock hardware where surfaces turn or slide
 - d) Full length of torsion spring to reduce friction between coils
 - e) Lubricate steel rollers. DO NOT lubricate nylon rollers.
- 2) Check for loose or bent hinges.
 - a) Tighten loose hinges.
 - b) Straighten or replace bent hinges.

Caution: To replace bent hinge(s) or broken roller(s):

Door must be locked and in the down position.

No more than 1 hinge is to be removed from the door at any given time.

Under no circumstances should you loosen or remove the bottom bracket without disengaging the spring tension. (Follow instructions for removing extension springs.)

- 3) Check roller for broken wheels, bent shafts, or worn out bearings
- 4) Check the door and track supports for loose or missing bolts, screws, etc. Be careful not to over tighten.
- 5) Check the extension cables. Are they running properly in the sheaves? Check for wear of the cable at the bottom bracket button.
- 6) Check for bent track. If bent, call an authorized professional dealer.
- 7) Extension spring hardware, including springs, cables, sheaves, sheave forks, bottom brackets, and containment cables, should be adjusted or repaired only when the spring tension is released (the door must be open). These repairs should be made by a qualified door technician or a mechanically experienced person with proper tools and instructions.
- 8) If your door has torsion springs, the spring assembly and wood anchor pad should only be adjusted or repaired by a professional door technician.

Cleaning the Door

In order to prevent damage (rusting) caused by foreign matter adhering to the door, the door should be cleaned at least twice a year (normal environments) or 4 times a year (coastal environments). The door may need to be cleaned more frequently if road salt accumulates in a winter climate. The door should be wiped down with a mild household detergent and rinsed with clear water.

NOTE: Be sure to clean behind stop molding on the sides and top of door.

Waxing the Door

(Coastal and Harsh Environments)

For coastal and harsh environments, it will be necessary to wax the front side of the door following installation, unless the door is going to be painted. Select a good quality car wax and apply according to wax manufacturer's instructions. Wax should be applied at least twice a year, immediately after cleaning (see cleaning instructions above).

Glass, Plexiglass, Stained Look, Leaded Look, Brilliance, and Studio Series Windows Cleaning and Care Instructions

Clean with a mild solution of a dishwashing detergent and a soft cloth. After cleaning, rinse thoroughly. DO NOT use any ammoniated, abrasive, or solvent-based cleaners of any kind.

Studio Series Windows Only:

Use a good grade of automotive paste wax and buff with a soft cloth. Windows should be cleaned and waxed at least once annually or more often based on the atmospheric conditions where installed.

Caution: Use care when handling decorative windows to avoid scraping or scratching the surface.

NOTE: Minor scratches or scuffs are not considered defects and will not be covered under the window warranty.

Replacement Parts

Replacement parts are available from an authorized professional dealer or a building supply retailer. When ordering repair parts, always provide the following: part name, model number, and door width and door height (W x H). For the location of the authorized professional dealer or a building supply retailer nearest you, please write or call:

Clopay Building Products
Consumer Services Dept.
101 Miller Rd.
Russia, OH 45363 USA

Call Toll Free: 1-800-225-6729
Hours of Operation (ET):
Monday – Friday, 8:30 AM - 7 PM
Saturday 8:30 AM - 5 PM.