

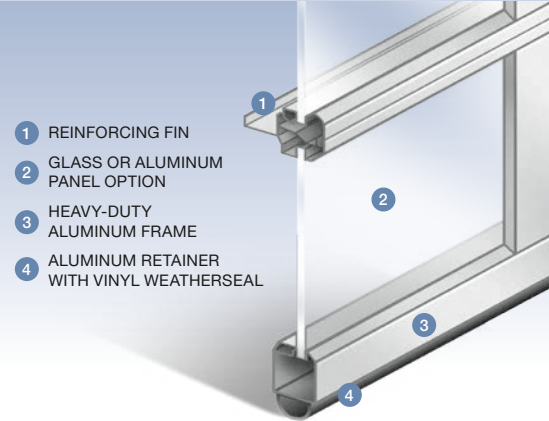
# AVANTE™ collection



Avante™ Collection Bronze frame, Frosted Glass Window Design

FINISH	HARDWARE
LIMITED	LIMITED
<b>5YR</b>	<b>3YR</b>
WARRANTY	WARRANTY

## DURABLE CONSTRUCTION



- 1 REINFORCING FIN
- 2 GLASS OR ALUMINUM PANEL OPTION
- 3 HEAVY-DUTY ALUMINUM FRAME
- 4 ALUMINUM RETAINER WITH VINYL WEATHERSEAL

Avante™ is the perfect choice to modernize any home.

## STYLE AND CONSTRUCTION

- 2-1/8" aluminum frame provides a virtually maintenance-free, long-lasting door.
- Tempered glass, acrylic or solid aluminum panel options. Insulated glass is also available for increased energy efficiency (AVI model).
- Vinyl bottom weatherseal with retainer helps protect against the elements and is replaceable.
- Integral reinforcing fin provides increased strength and longevity.
- Heavy-duty steel ball bearing rollers with nylon tires provide quiet operation.



GLASS / PANEL OPTIONS					
Clear Glass	Gray Tint	Bronze Tint	Mirrored Glass	Obscure Glass	White Laminate
Frosted	Clear Acrylic	Gray Acrylic	White Acrylic	Clear Polygal®	Bronze Polygal®
Ultra-Grain® Light Cherry		Ultra-Grain® Dark Cherry			

WINDCODE® AVAILABILITY CHART					
Common Door Widths	W1	W3	W4	W5	
Models AV/AVI	8', 9', 10', 12' Wide Door	<b>S</b> +16.5/-16.5 PSF	SELECT W5	SELECT W5	<b>FS</b> +32/-32 PSF
	14' Wide Door	<b>S</b> +13.5/-13.5 PSF	SELECT W5	SELECT W5	<b>FS</b> +30/-30 PSF
	16' Wide Door	SELECT W5	SELECT W5	SELECT W5	<b>FS</b> +30/-30 PSF
	18' Wide Door	SELECT W5	SELECT W5	SELECT W5	<b>FS</b> +30/-30 PSF

**S** Standard Windows Available  
**I** Impact Rated  
**W** Impact Windows Available  
**F** Florida Approved  
**D** Dade County Approved  
**T** Texas Department of Insurance Approved

FRAME/PANEL COLOR OPTIONS		
White	Brown	Clear Anodized
Anodized Black	Bronze	Ultra-Grain® Light Cherry
Ultra-Grain® Dark Cherry		