

INSTALLATION INSTRUCTIONS

Pass Door Installation Supplemental Instructions

(For use with Commercial & Industrial Sectional Doors Installation & Maintenance Manual)

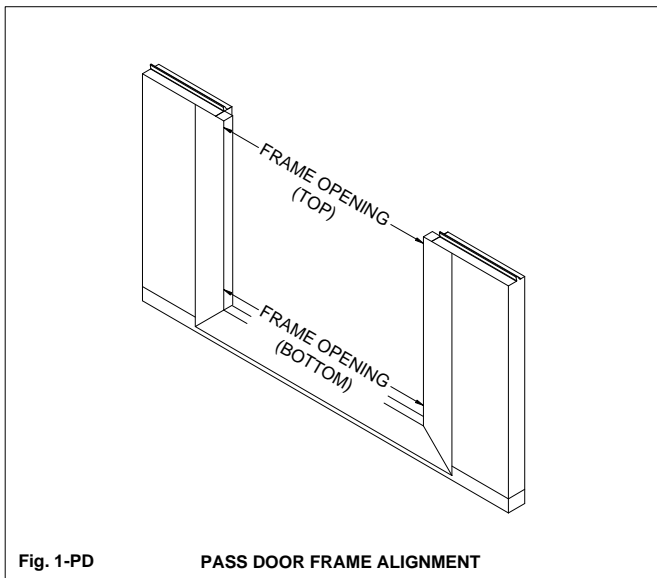
This is a supplement to the Commercial & Industrial Sectional Doors Installation & Maintenance Manual (Referred to as MANUAL). It covers important information unique to certain Commercial door configurations. For all other information and safety warnings concerning your Commercial garage door, see the MANUAL. Read all of the information in both manuals before beginning installation.

These instructions cover the following areas, where this Commercial door installation differs from the standard Commercial door installation:

1. Pass Door Installation

Pass Door Installation

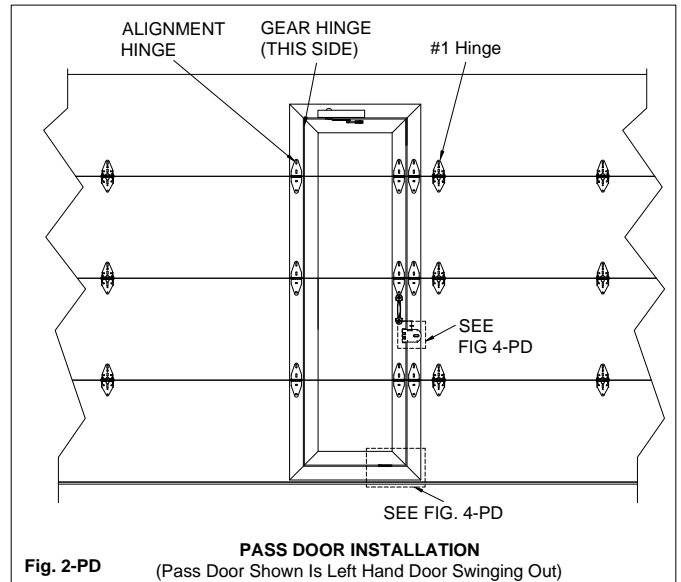
Step 1: Pass Door Frame Alignment. Proper alignment of the pass door frame is critical for smooth operation of the pass door. After stacking the bottom section, measure the pass door frame opening at the top and bottom of the frame (FIG. 1-PD).



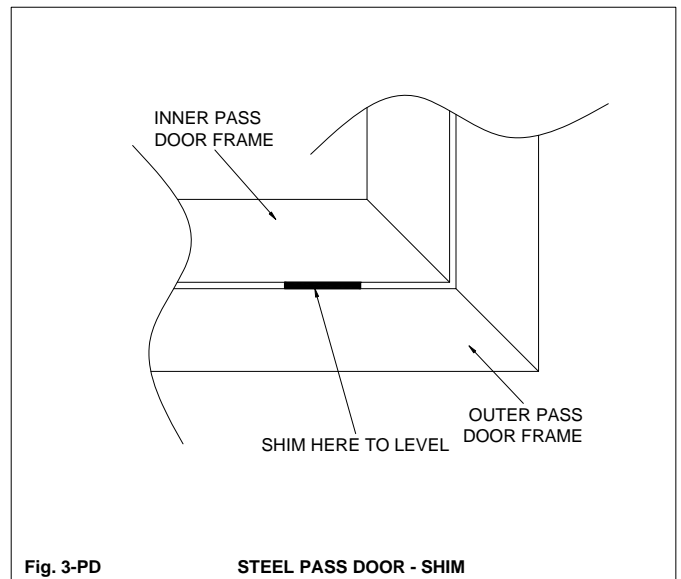
If this measurement is not exactly the same the bottom section will need to be shimmed or clamped so that the frame is aligned.

NOTE: To better ensure proper alignment of the frame from section to section, install the alignment hinges on the gear hinge side of the aluminum pass door frame first and work outwards installing hinges.

Step 2: Pass Door Installation. See FIG. 2-PD for diagram of pass door showing hinge and closer locations. Use alignment hinges on pass door & pass door frame and use #1 center hinges on garage door.

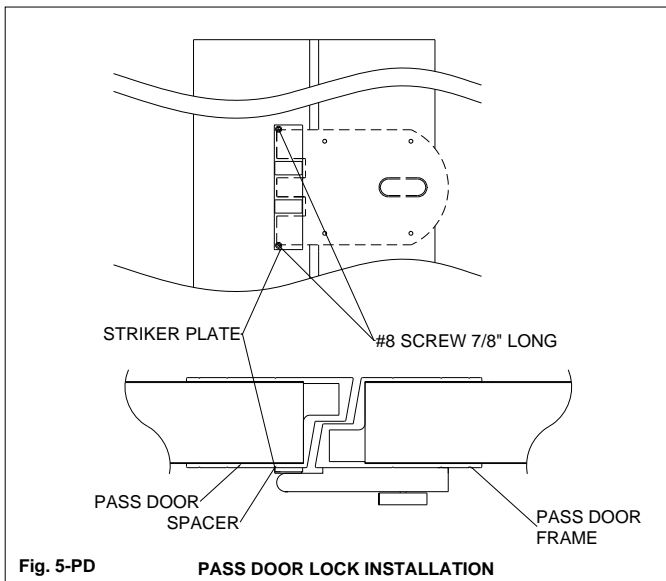
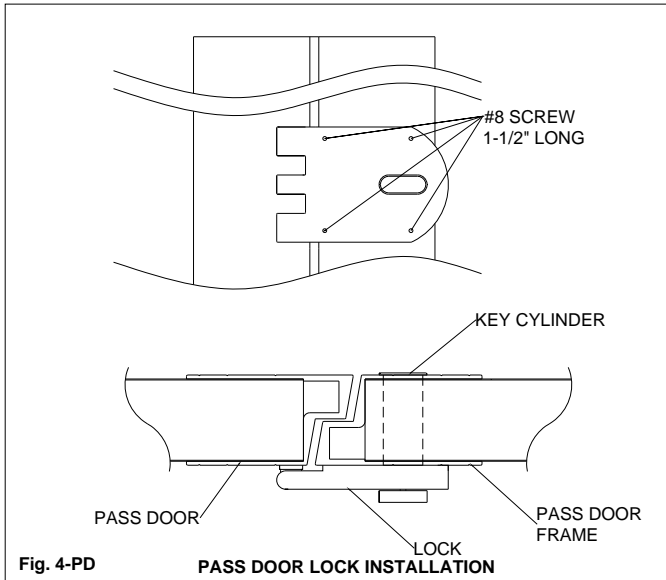


NOTE: Swinging Portion of Pass Door on the bottom section may need to be shimmed up during installation of upper sections to prevent gapping (FIG. 3-PD).



Step 3: Lock. Install Lock (FIG.4-PD) through pre-drilled hole in Pass Door Frame. Reference instructions provided in lock packaging for guidance. **DO NOT** use screws from lock packaging. Use screws provided in separate screw bag. With Pass Door closed, align flat striker plate behind lock, with striker plate attachment holes on the furthest side from the door edge, so that the striker plate & lock can interface together (FIG-5D). Mark location or tape strike plate in place then attach using screws in separate screw bag. If needed, use provided spacers to shim the striker plate to fit flush with the lock.

Step 6: Door reinforcement. The pass door strutting schedule follows the strut schedule as described in the MANUAL, minus 2 struts.



Step 4: Handle. Attach door handles, one on each side above the striker plate location on the pass door.

Step 5: Closer Mechanism. Install DORMA 7303 closer according to the 7300 ARJ instructions provided with closer.